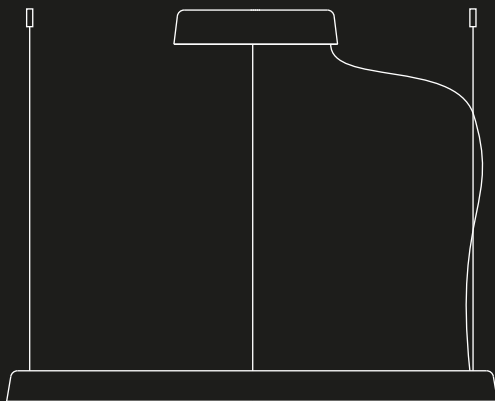


COMPENDIUM CIRCLE

design Daniel Rybakken



**LUCE
PLAN**

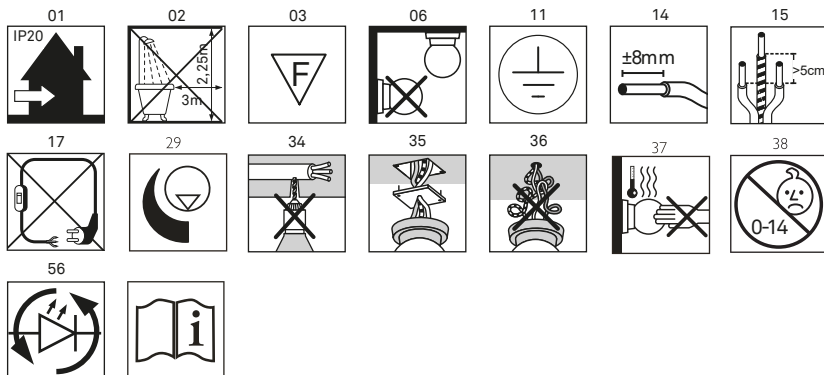
D81C



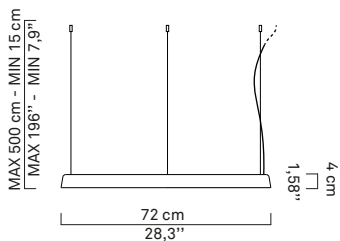
D81C07+D81/4

D81C11+D81/5

D81C20+D81/6

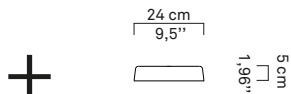


D81C07



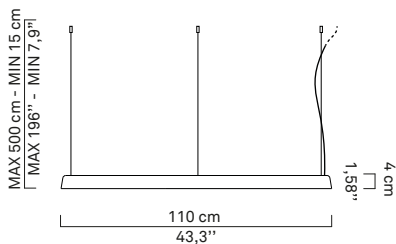
kg 1,95kg **lb** 3 lb

D81/4



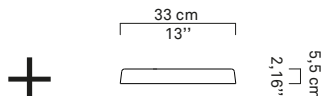
kg 0,7kg **lb** 1,54 lb

D81C11



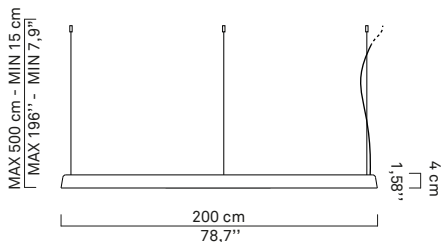
kg 3,1kg **lb** 6,8 lb

D81/5



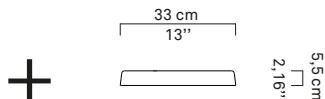
kg 1,3kg **lb** 2,86 lb

D81C20



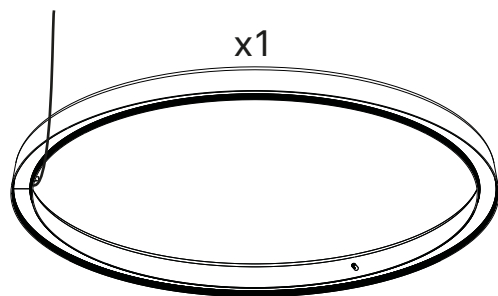
kg 6,3kg **lb** 13,9 lb

D81/6



kg 1,32kg **lb** 2,91 lb

D81C07
D81C11
D81C20



a

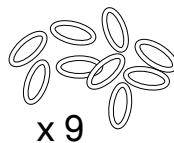
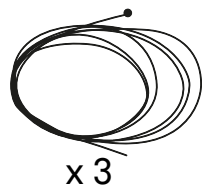
x 3



x 3



b



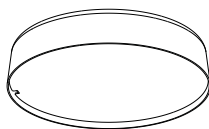
D81/4
D81/5
D81/6



a

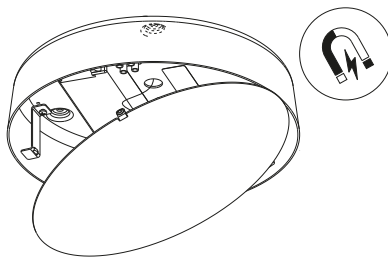
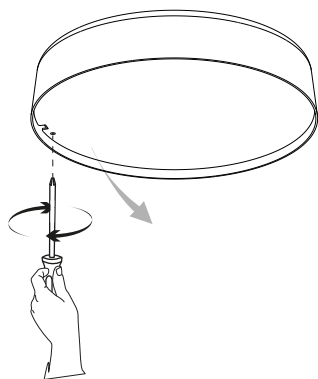
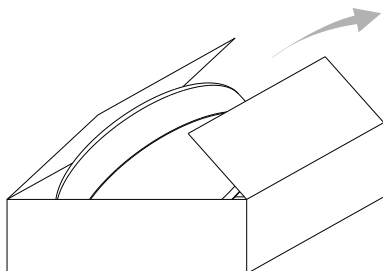


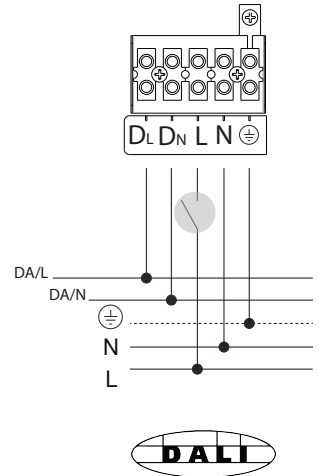
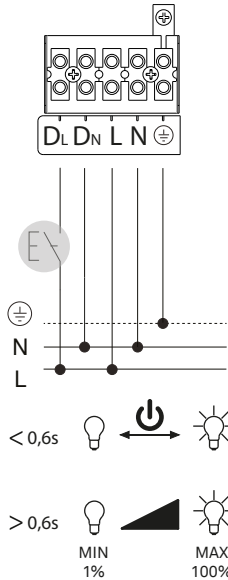
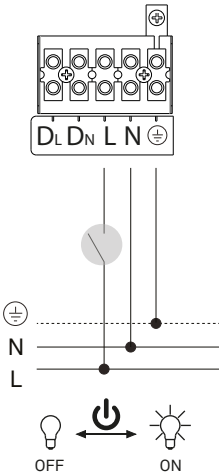
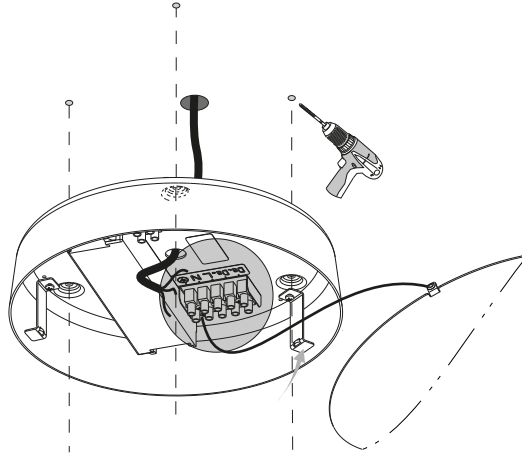
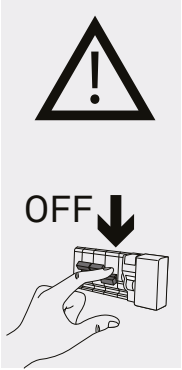
b

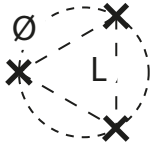


1x



D81/4
D81/5
D81/6

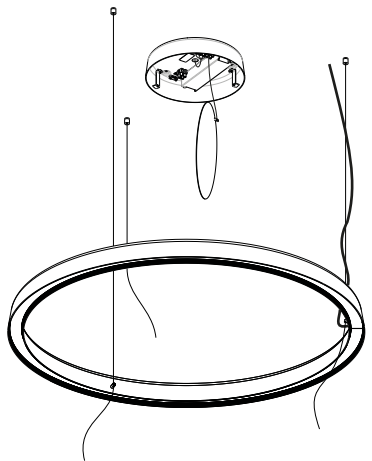
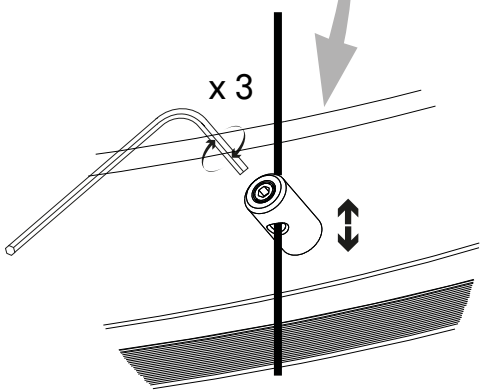
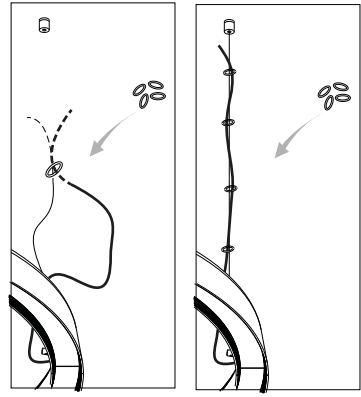
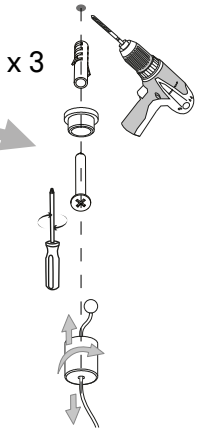
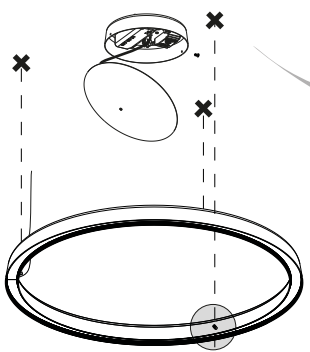
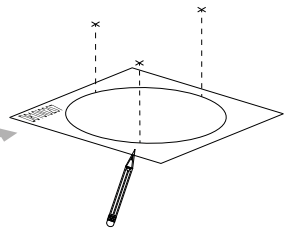


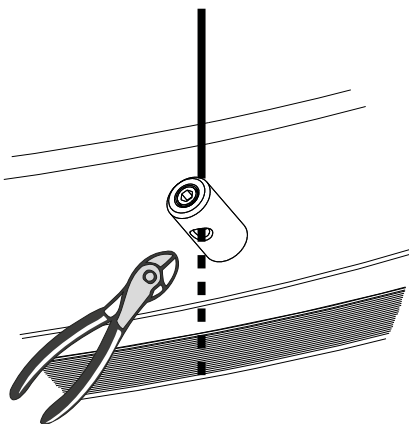
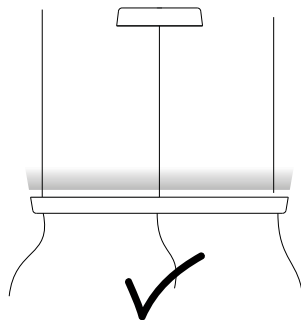
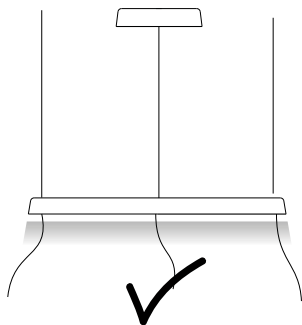
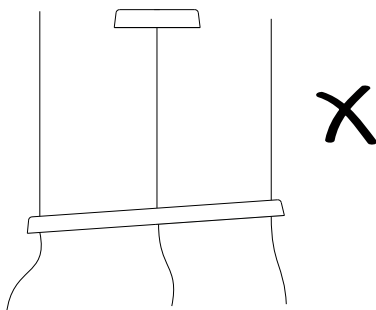
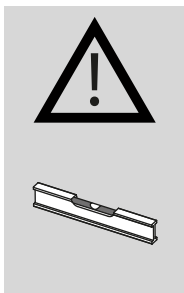


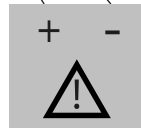
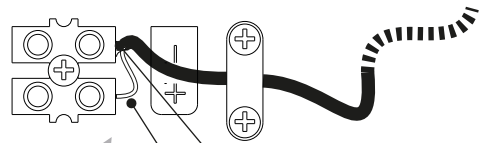
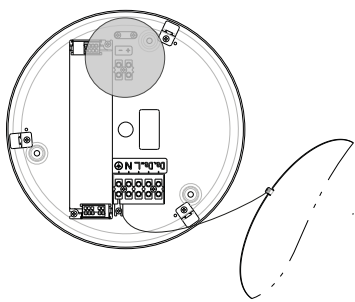
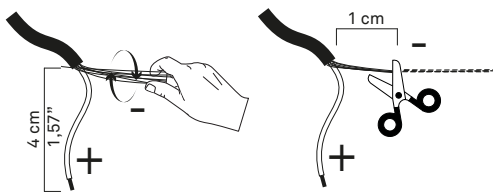
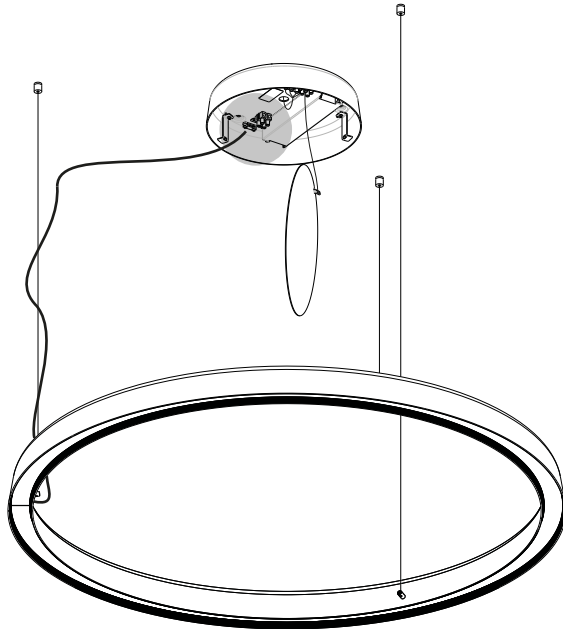


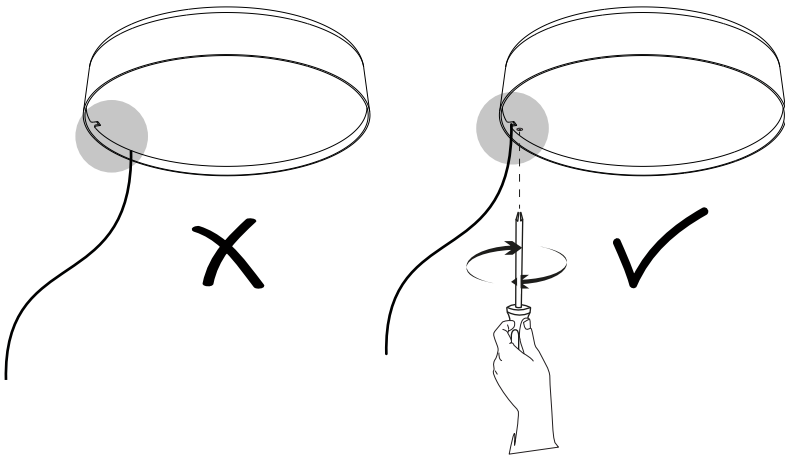
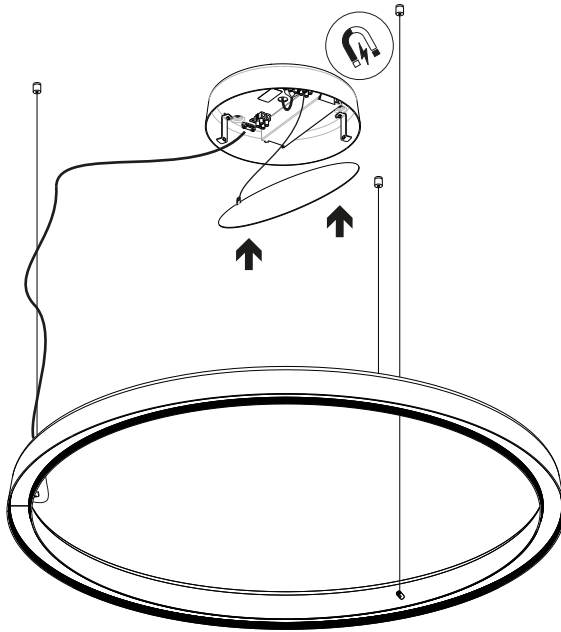
D81C07 Ø65 cm L=56 cm
 D81C11 Ø103 cm L=89 cm
 D81C20 Ø193 cm L=167 cm

 D81010207
 D81010208

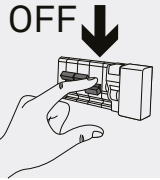
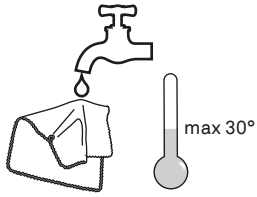








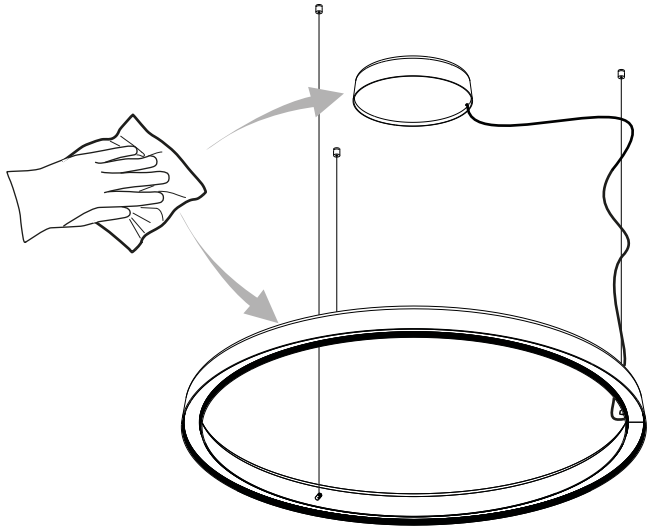
1.



2.



3.





www.luceplan.com

D8101A002