




Doi

Design Meneghella Paoletti

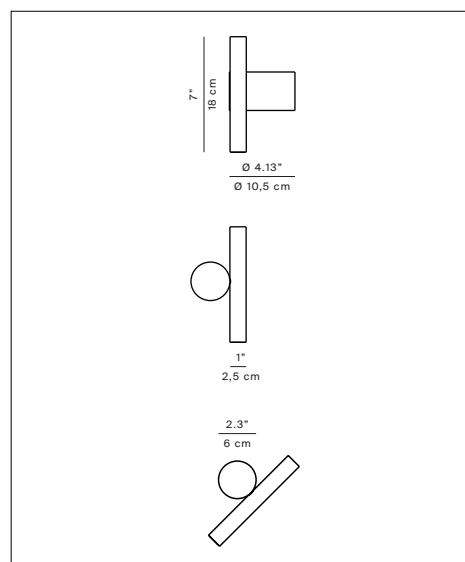
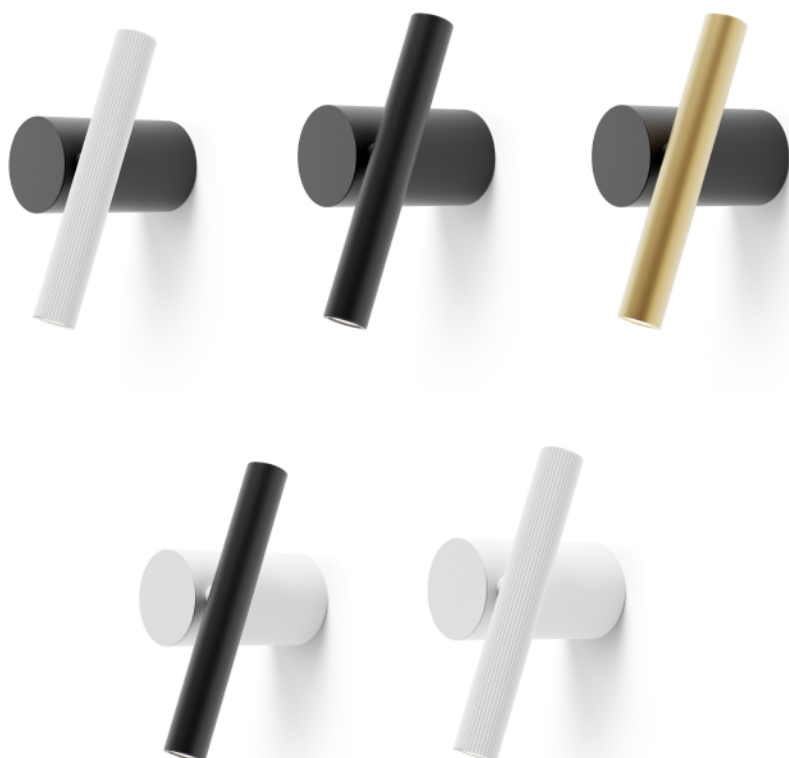
**LUCE
PLAN**

- Type: Wall
- Light source: LED 7W 2700, CRI 90, 291 lm
LED 7W 3000K, CRI 90, 306 lm
- Product use: Indoor
- Materials: Aluminium cylinder.
Iron structure.
- Colors: Ceiling rose: black, white
Cylinder: black, white, brass
- Description: Doi is a family of decorative indoor lamps, including a wall version, which takes on different possible configurations in the suspension models, formed by only a disk and a cylinder, or with the added "pendulum" accessory.

Insulation class and marks:   

Rating: 110 - 240V~50/60 Hz, 9W

- Reference code: **A05AD 3000K**
- 1A050AD00001 black/black
 - 1A050AD00002 white/white
 - 1A050AD00030 black/brass
 - 1A050AD00035 white/black
 - 1A050AD00098 black/white
- A05ADW 2700K**
- 1A050ADW0001 black/black
 - 1A050ADW0002 white/white
 - 1A050ADW0030 black/brass
 - 1A050ADW0035 white/black
 - 1A050ADW0098 black/white



Trailing Edge Dimmer list approved by KGP

Manufacturer	Model	Q'ty of parallel connection
ABB	6519 U	12
ABB	6526 U	11
JUNG	1224 LED UDE	12
Berker	2861	12
JUNG	254 UDIE 1	13
JUNG	225 TDE	12
EGANT	U321V2	12
Schneider	SBD200LED	13
Schneider	SBD315RC	12
Merten	SBD200LED	13
Berker	2874	12
Eitako	EUD61NPL-230V	10
Eitako	EUD12NPN-UC	10
Eitako	EUD12D-UC	10
Eitako	EUD61NP-230V	10
Eitako	DTD55L-230V-wg	10
GIRA	Universal-LED Dimmer Mini2440 00	10
EHMANN	LED-Dimmer T46.08	9
JUNG	DrehDimmer Unlversal LED1731DD	10
EHMANN	LED-Dimmer T46.03	10

Leading Edge Dimmer list only on request -/ or confirmed by KGP Electronics