

COMPENDIUM

design Daniel Rybakken



Type: Suspension

Lamps: LED 54W 2700 or 3000K CRI 90
dimmable 0-10V @ 120/277V~
dimmable trailing edge and leading edge only @ 120V~

Product use: Indoor

Materials: Profile in extruded aluminum anodized in various colors.

Colors: Black, brass, aluminum

Description: Compendium stands out for the evocative graphic-sculptural impact of their slim silhouette.

Marking:

Reference code: Structure at 3000K

D81B2	1D810B020530	brass	2.504 lm
	1D810B020520	alu	2.504 lm
	1D810B020501	black	1.971 lm

Structure at 2700K

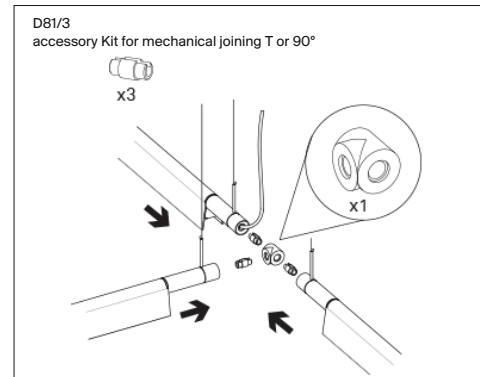
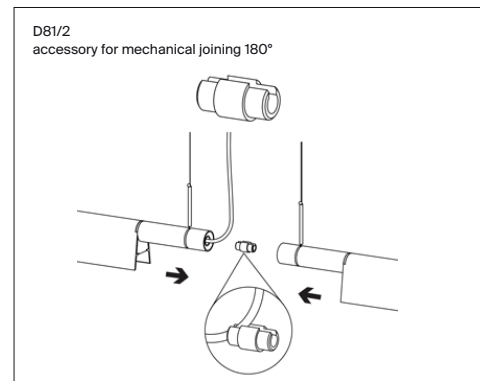
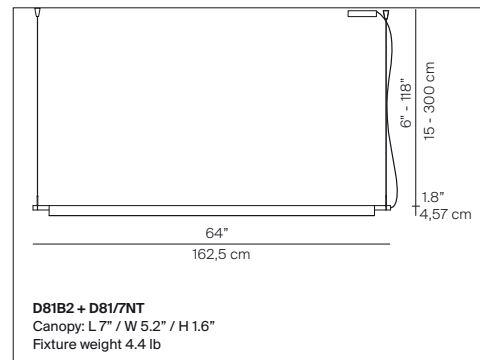
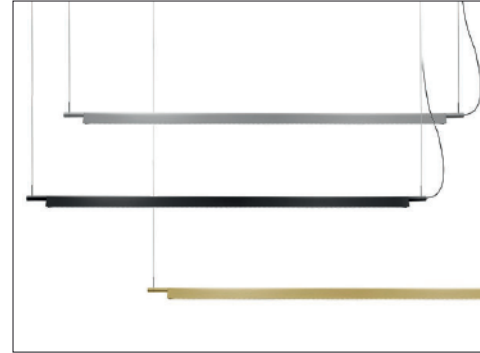
D81BW2	1D810BW20530	brass	2.403 lm
	1D810BW20520	alu	2.403 lm
	1D810BW20501	black	1.889 lm

Canopy

D81/7NT	1D81N/7T0500	white	
---------	--------------	-------	--

Accessory

D81/2	1D810/200001	black	
D81/3	1D810/300001	black	



(*) The LED lamps cannot be changed in the luminaire.
Power consumption by device