

ÉCRAN IN&OUT

design Inga Sempé

**LUCE
PLAN**

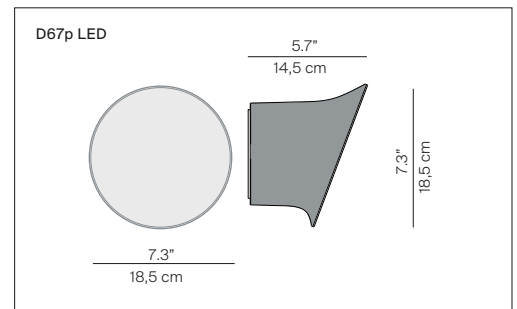
Type:	Wall
Light source:	LED 8W 3000K ^(*) CRI 80 dimmable Trailing Edge
Product use:	Indoor/Outdoor
Materials:	Injection-moulded polycarbonate
Colors:	Opal white
Description:	Écran In & Out is an indoor/outdoor wall lamp with a diffuser that expands from the base to form a screen. Made in watertight IP65 polycarbonate to resist weathering, Écran In & Out has an LED light source for long-lasting performance.
Rating:	220-240 V ~ 50/60 Hz, 8W

Insulation class and mark:    **IP65**

Reference code: Structure
1D67OPN10002 opal white 298 lm

Compatible Trailing Edge dimmer:

Company	Model
BUSH-JAEGER	6519U
BUSH-JAEGER	6513U-102
ETM	321P
CLIPSAL	32E450TM
BERKER	2874



^(*)The LED lamps cannot be changed in the luminaire
Power consumption by device

