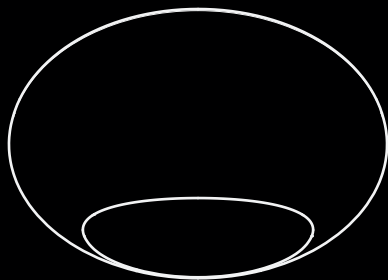


# GARBÍ

design David Dolcini

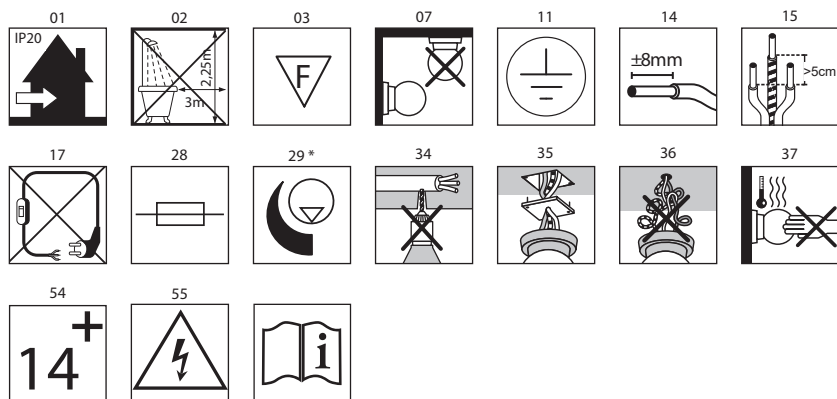


**LUCE  
PLAN**

D90



## D90



\* Wall mounted TRIAC dimmers - see datasheet

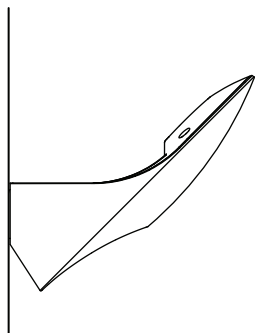
D90



a

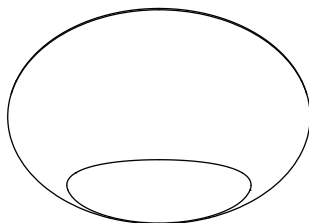


b

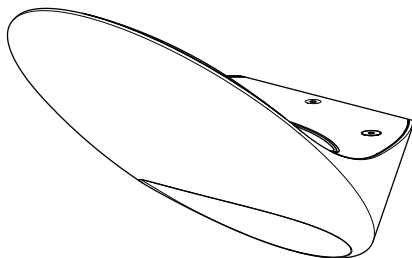


14 cm  
5.5"

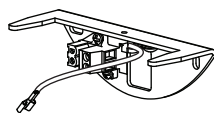
16 cm  
6.3"



20 cm  
7.8"



x 1

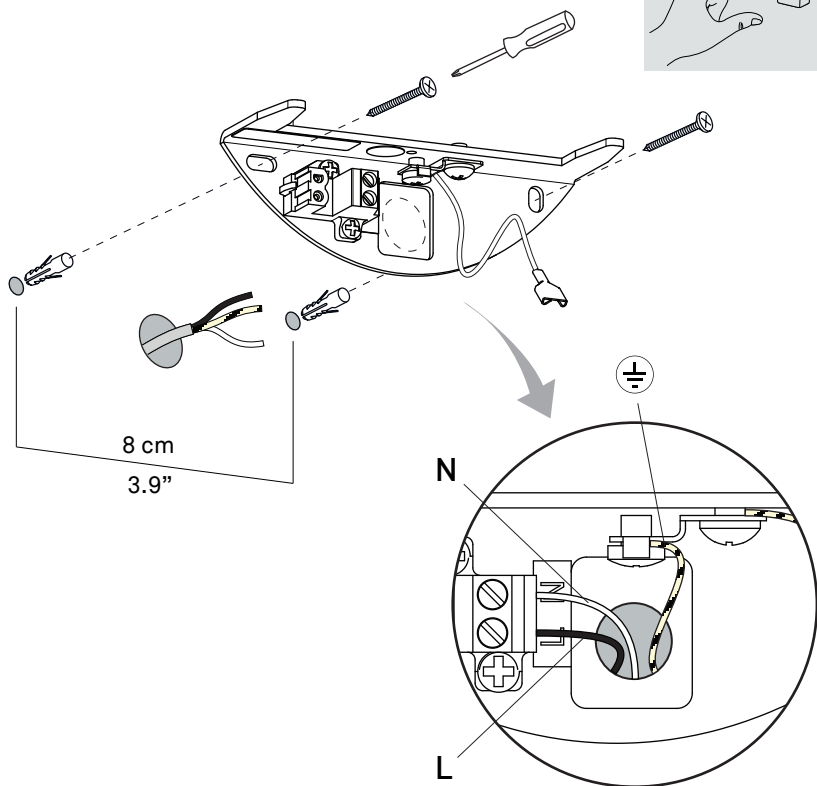
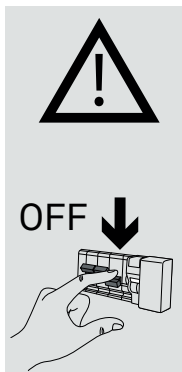


x 1

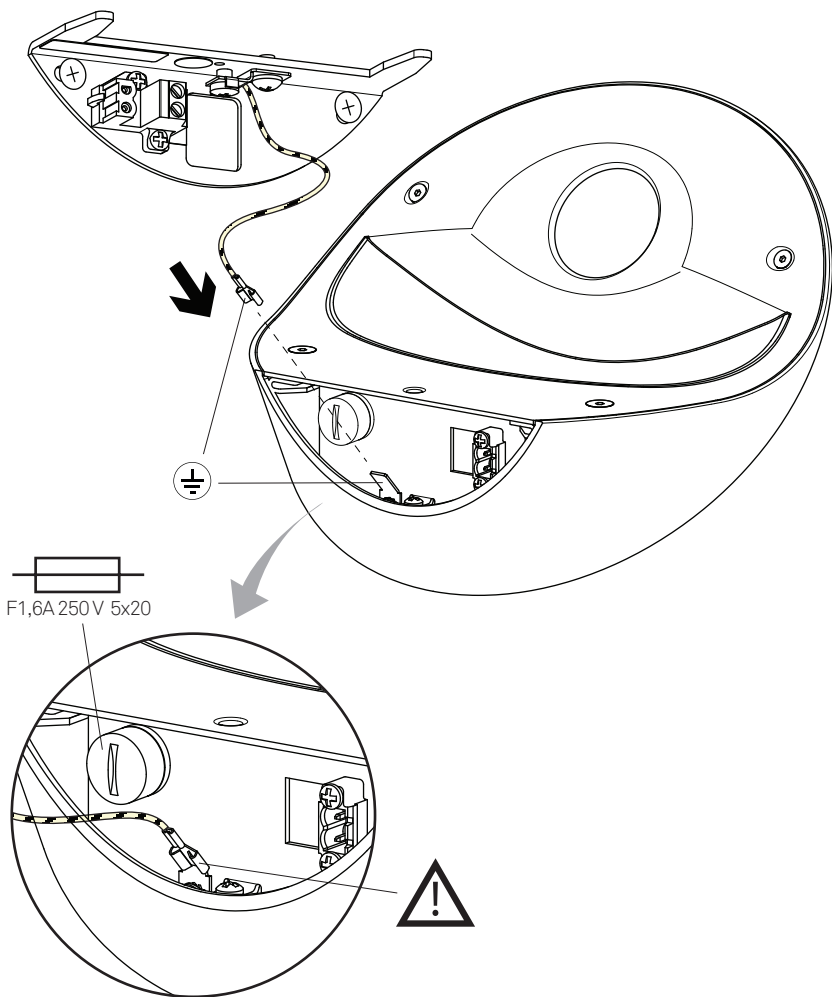
kg 0,9 kg

lb 2.0 lb

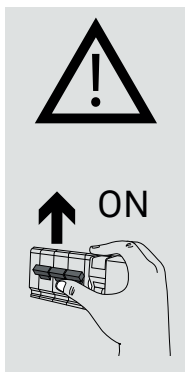
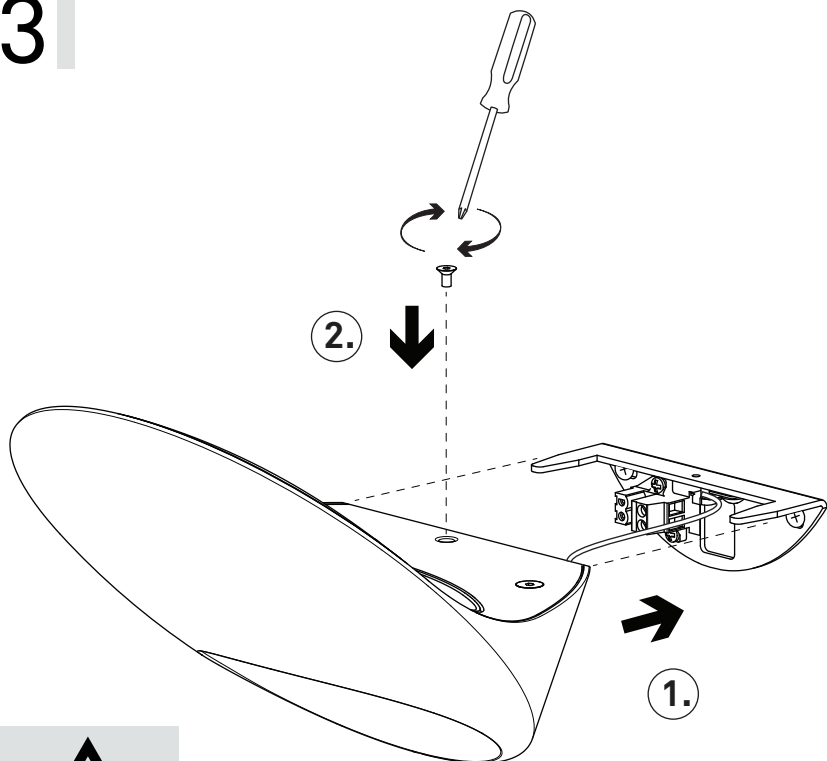
1

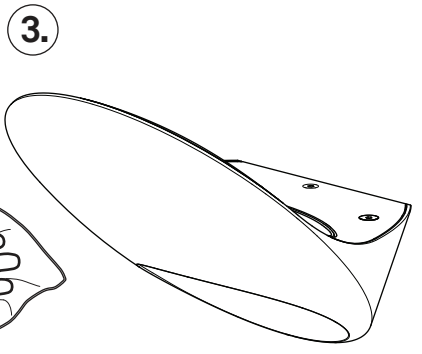
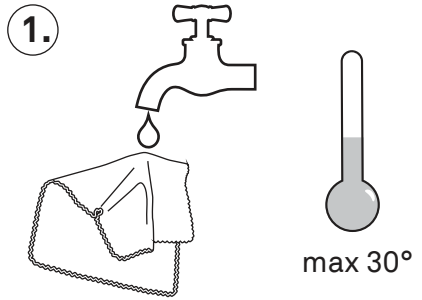
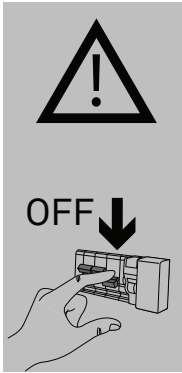


# 2



3







[www.luceplan.com](http://www.luceplan.com)

D900IA001