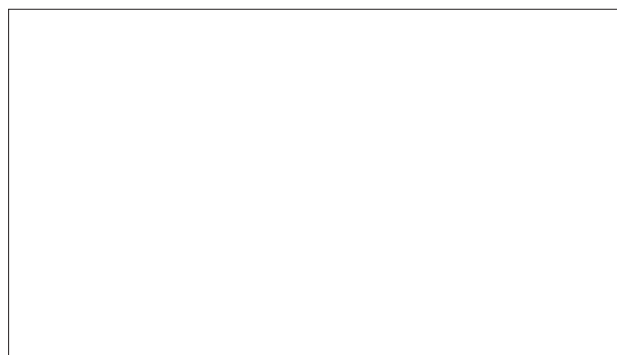
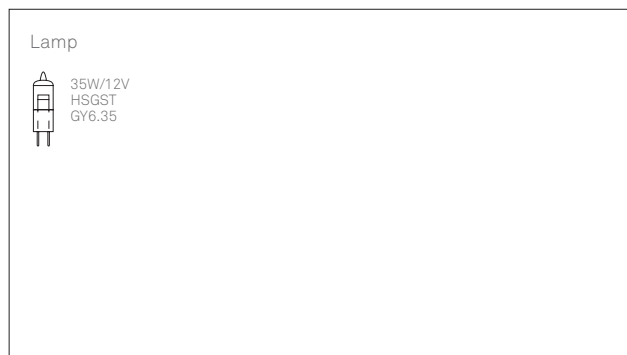
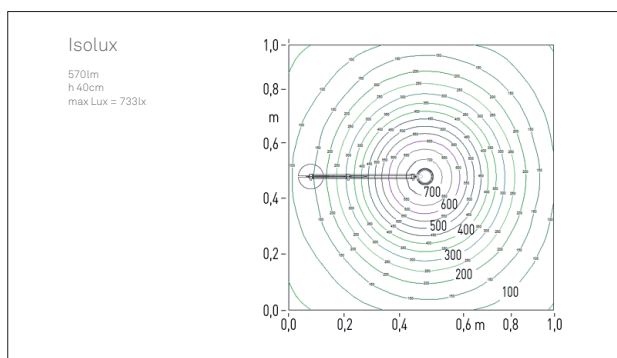
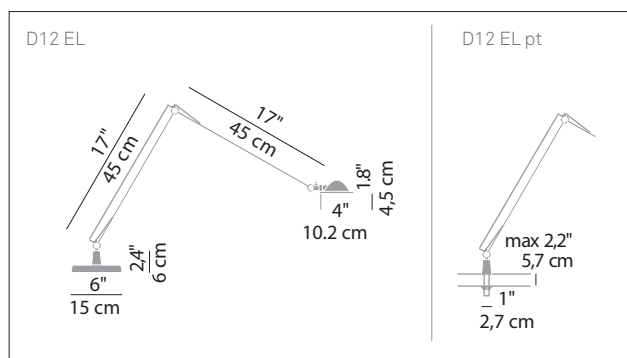


# BERENICE

alberto meda, paolo rizzato

D12



Materials  
metal parts in diecast aluminium reinforced nylon frictional joints rynite head  
parabolic reflector in pressed glass or in metal

Structure finishes

○ white ● black ● metal gun

Glass reflector ● blue ● ivory ● green

Metal reflector ● alu ● black

Note  
berenice operates with a electronic transformer that allows extra low tension current to reach the light source through its rods without electric wiring

