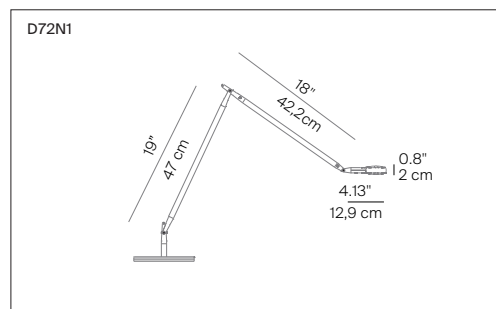





OTTO WATT

design Alberto Meda / Paolo Rizzatto

**LUCE
PLAN**

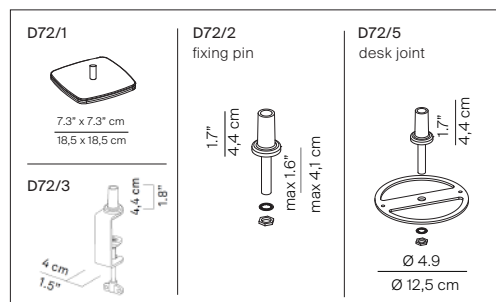
Type:	Table
Light source:	LED 8W ^(*) 3000K CRI 80 371 lm dimmer on board
Product use:	Indoor
Materials:	Aluminium
Colors:	Mirror, black soft touch, white
Description:	With impeccable design logic, Otto Watt interprets and applies the advent of high-efficiency LED light sources for low energy consumption. The 360° adjustable head and the reflector with a glare-proofing filter contribute to the total quality of this lamp.



Insulation class:   

Rating: 220-240 V ~ 50/60 Hz

Reference code:	Structure	
	D72N1	1D720=N10018 mirror 1D720=N10001 black soft-touch 1D720=N10002 white
	Component	
	D72/1	1D72/1000018 table base mirror 1D72/1000001 table base black soft-touch 1D72/1000002 table base white
	D72/2	1D72/2000018 fixing pin mirror 1D72/2000001 fixing pin black soft-touch 1D72/2000002 fixing pin white
	D72/3	1D72/3000018 clamp mirror 1D72/3000001 clamp black soft-touch 1D72/3000002 clamp white
	D72/5	1D72/5000018 desk joint mirror 1D72/5000001 desk joint black soft-touch 1D72/5000002 desk joint white



^(*) Power consumption by device

