

OTTO WATT

design Alberto Meda / Paolo Rizzatto



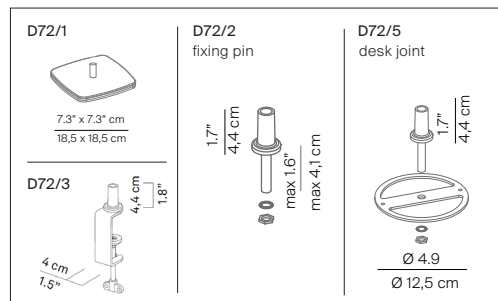
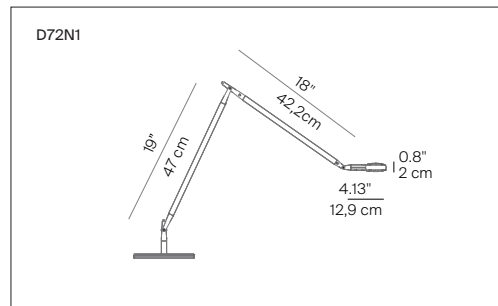
Type: Table
 Light source : 10W LED 3000K CRI 80 dimmable
 Product use: Indoor
 Materials: Aluminium
 Colors: Mirror, black soft-touch, white
 Description: A perfect desktop companion and reinterpretation of the classic spring lamp, Otto Watt stands out for its slim yet solid lines, granting stability and easy handling. The dimmable LED makes it possible to vary light intensity, providing ideal brightness for any situation, from moments of relaxation to activities that require great precision.

Certification

Reference code: **structure**
D72N1 1D720=N10518 mirror
 1D720=N10501 black soft-touch
 1D720=N10502 white

Accessories

D72/1 1D72/1000018 table base mirror
 1D72/1000001 table base black soft-touch
 1D72/1000002 table base white
D72/2 1D72/2000018 fixing pin mirror
 1D72/2000001 fixing pin black soft-touch
 1D72/2000002 fixing pin white
D72/3 1D72/3000018 clamp mirror
 1D72/3000001 clamp black soft-touch
 1D72/3000002 clamp white
D72/5 1D72/5000018 desk joint mirror
 1D72/5000001 desk joint black soft-touch
 1D72/5000002 desk joint white



⁽¹⁾ The LED lamps cannot be changed in the luminaire

