

ARCHETYPE

design Goodmorning Technology, 2010

**LUCE
PLAN**


Type: Suspension
Light source: LED 15W ^(*) 2700K EEL: A
dimmmable phase cut or push/DALI

Product use: Indoor

Materials: Aluminium painted body, polycarbonate silkscreened shade.

Colors: White, black, light blue, red

Description: A reassuring, archetypal suspension lamp with a Fifties silhouette. Designed by the Danish studio Goodmorning Technology, it references the emblematic formal rigor and functional minimalism of the legendary "Danish Modern" tradition. A timeless classic that combines high technology and innovative light diffusion with simple lines and clean forms, ideal for both classic and modern settings.

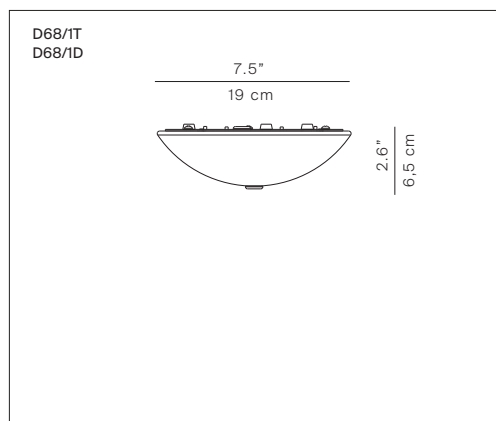
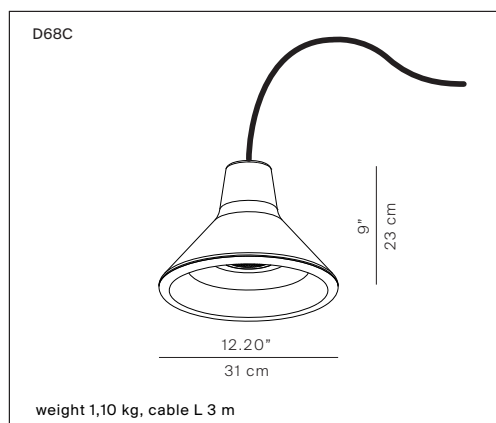
Insulation class:   

Awards: Red Dot 2012, prize

Reference code: Structure D68C
1D680C000002 white
1D680C000001 black
1D680C000023 light blue
1D680C000007 red

Reference code: Ceiling rose D68/1T, dimmmable phase cut
1D680/1T0002 white

Ceiling rose D68/1D, dimmmable push/DALI
1D680/1D0002 white



^(*) The LED lamps cannot be changed in the luminaire
Power consumption by device

