

# ARCHETYPE

design Goodmorning Technology, 2010

**LUCE  
PLAN**

Type: Suspension




Light source: LED 15W <sup>(\*)</sup> 3000K  
606 lm (delivered)  
dimmable phase cut EEL: A

Product use: Indoor

Materials: Aluminium painted body, polycarbonate silkscreened shade.

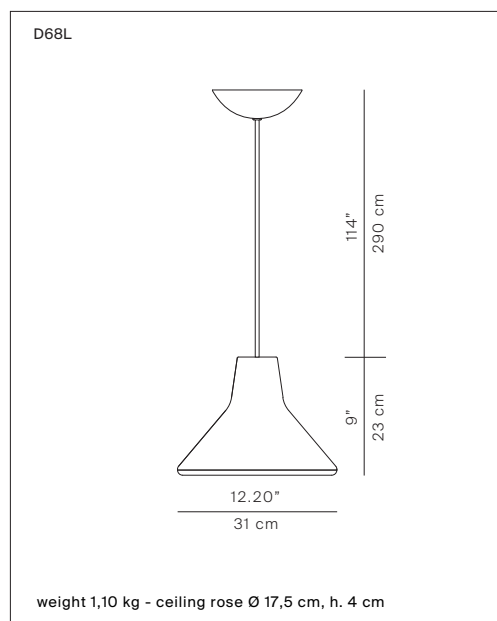
Colors: White, black, light blue, red

Description: A reassuring, archetypal suspension lamp with a Fifties silhouette. Designed by the Danish studio Goodmorning Technology, it references the emblematic formal rigor and functional minimalism of the legendary "Danish Modern" tradition. A timeless classic that combines high technology and innovative light diffusion with simple lines and clean forms, ideal for both classic and modern settings.

Insulation class:   

Awards: Red Dot 2012, prize

Reference code: Structure  
1D680L000002 white  
1D680L000001 black  
1D680L000023 light blue  
1D680L000007 red



<sup>(\*)</sup> The LED lamps cannot be changed in the luminaire  
Power consumption by device

