


BERENICE LED

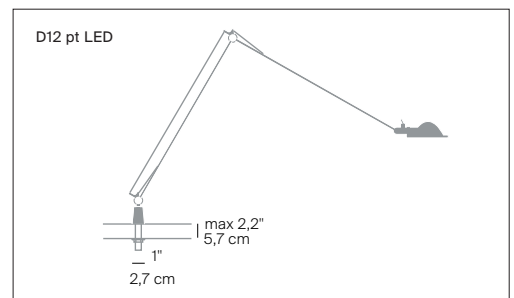
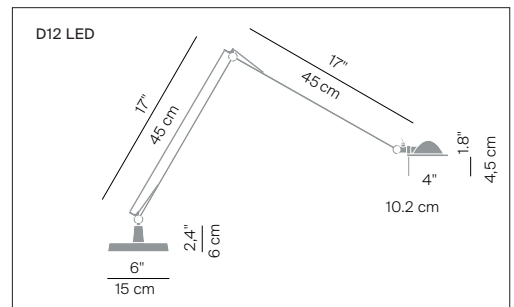
design Alberto Meda/Paolo Rizzatto, 2007

**LUCE
PLAN**

Type:	Table	
Lamps:	LED 10W 3000K ⁽¹⁾ Power supply 24V	EEL: A
Product use:	Indoor	
Materials:	Aluminium body, die-cast aluminium metal parts, die-cast magnesium head.	
Colors:	Structure in aluminium, black	
Description:	A new light source for a Luceplan classic. Berenice comes with a new high-efficiency LED 8W source capable of providing an extraordinary quantity of energy-saving light.	

Insulation class: 

Reference code:	Structure		
	D12 LED	1D120=NCL020 1D120=NCL001	alu black
	D12pt LED	1D120=NPL020 1D120=NPL001	alu black



⁽¹⁾ The LED lamps cannot be changed in the luminaire
Power consumption by device

