




BULBULLIA

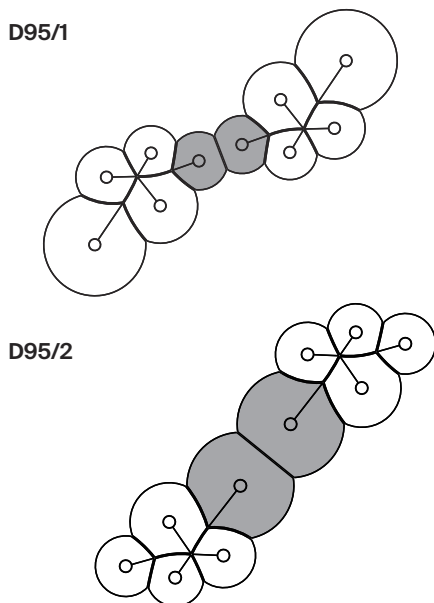
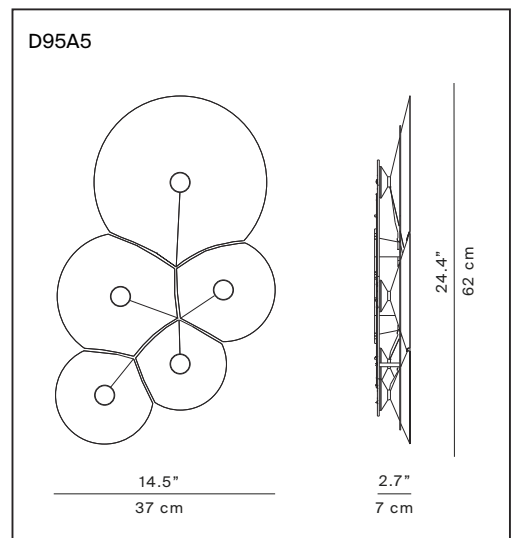
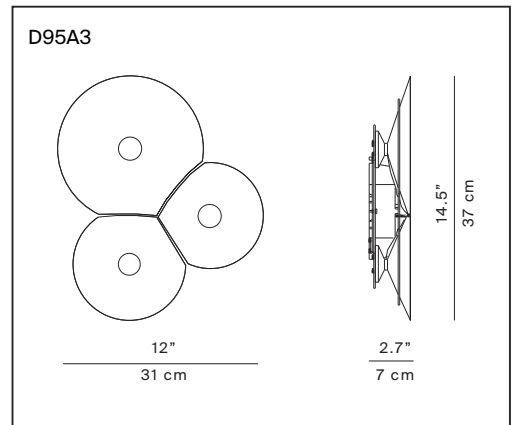
design Francisco Gomez Paz

Type:	Wall	
Light source:	D95A3 LED module 17W 2700K dimmable phase cut	EEL: A+
	D95A3D LED module 16W 2700K dimmable push/DALI	EEL: A+
	D95A5 LED module 27W 2700K dimmable phase cut	EEL: A+
	D95A5D LED module 26W 2700K dimmable push/DALI	EEL: A+
Product use:	Indoor	
Materials:	Aluminium and polycarbonate	
Colors:	White	
Description:	A series of parabola of different sizes intersect to generate the characteristic geometric form of soap bubbles	



Insulation class:   

Reference code:	Structure	
	D95A3	1D950A300002 bianco
	D95A3D	1D950A3D0002 bianco
	D95A5	1D950A500002 bianco
	D95A5D	1D950A5D0002 bianco
	Connection kit only for D95A5/D95A5D	
	D95/1	1D950/010002 for small parabola
	D95/2	1D950/020002 for big parabola



⁽¹⁾ The LED lamps cannot be changed in the luminaire
Power consumption by device