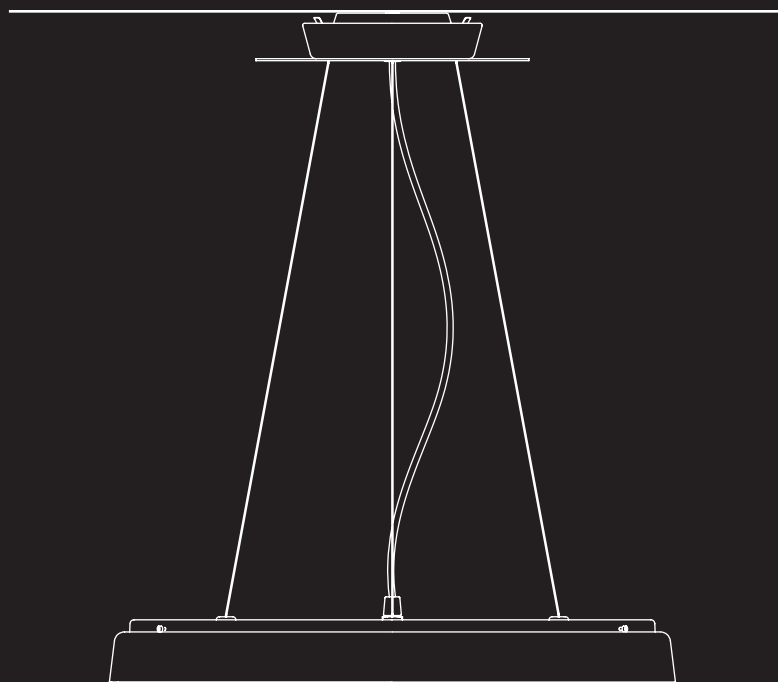


COMPENDIUM PLATE

design Daniel Rybakken

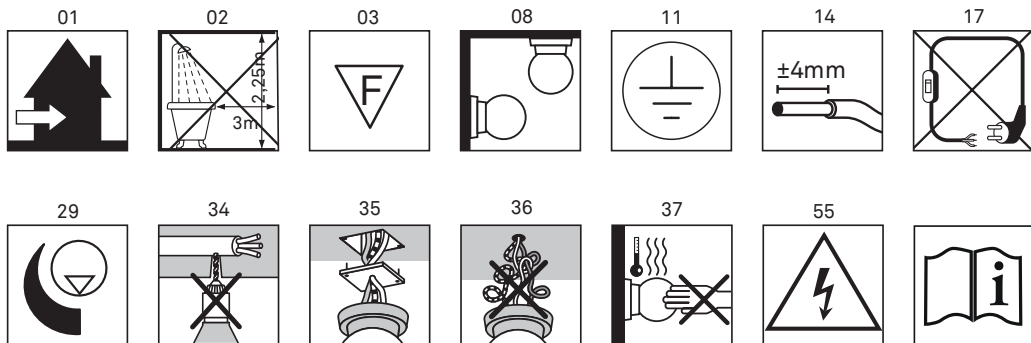


**LUCE
PLAN**

D81PS



D81PS



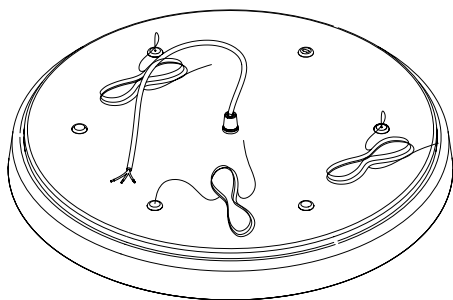
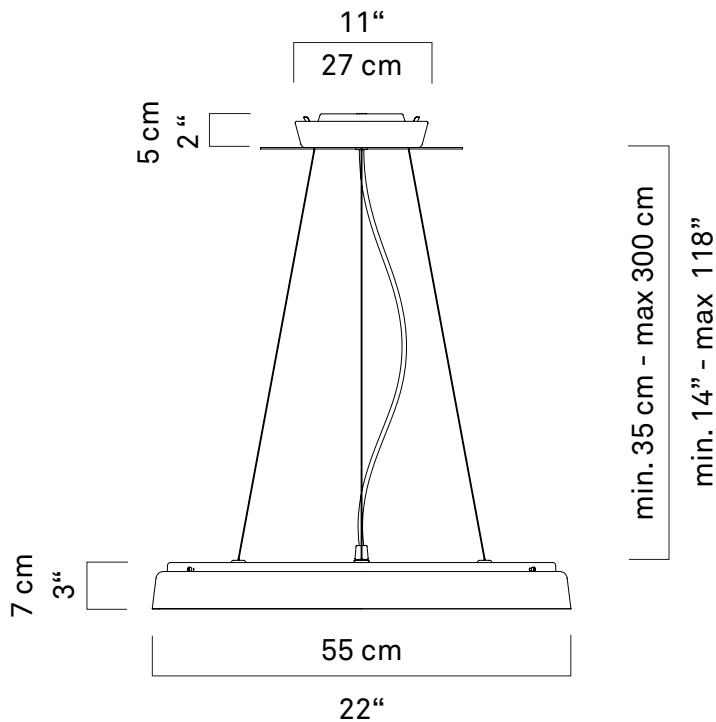
D81PS



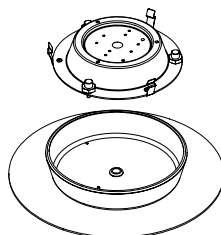
a



b



x1

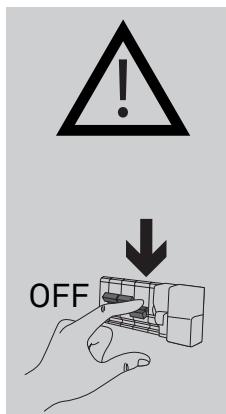
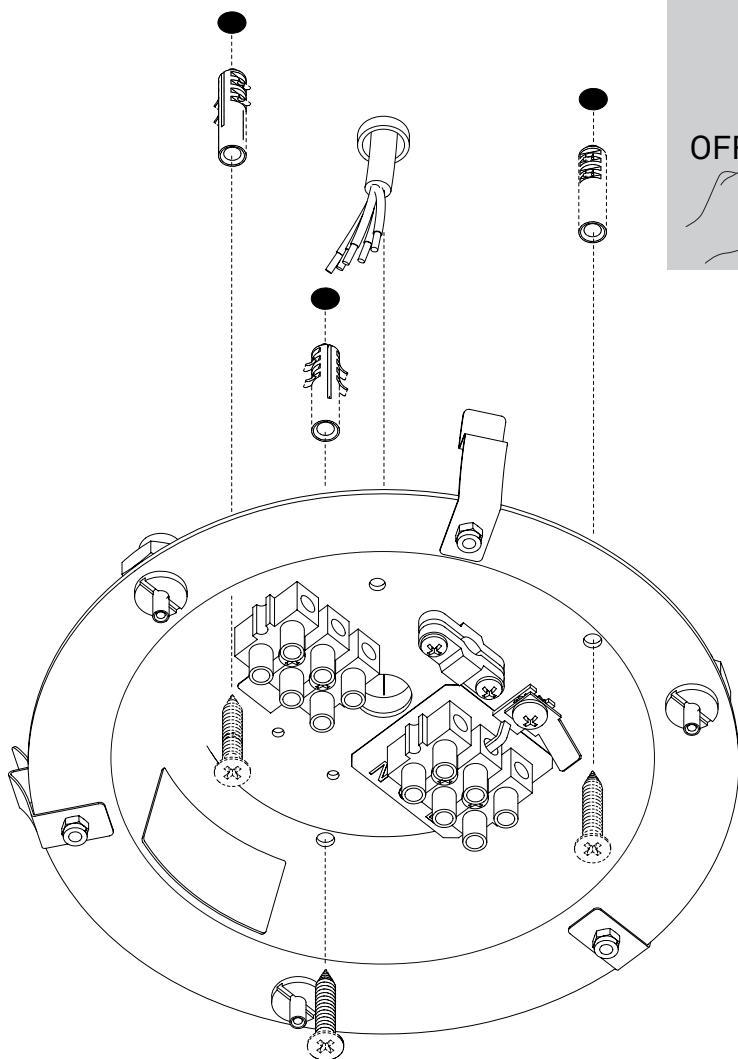


x1

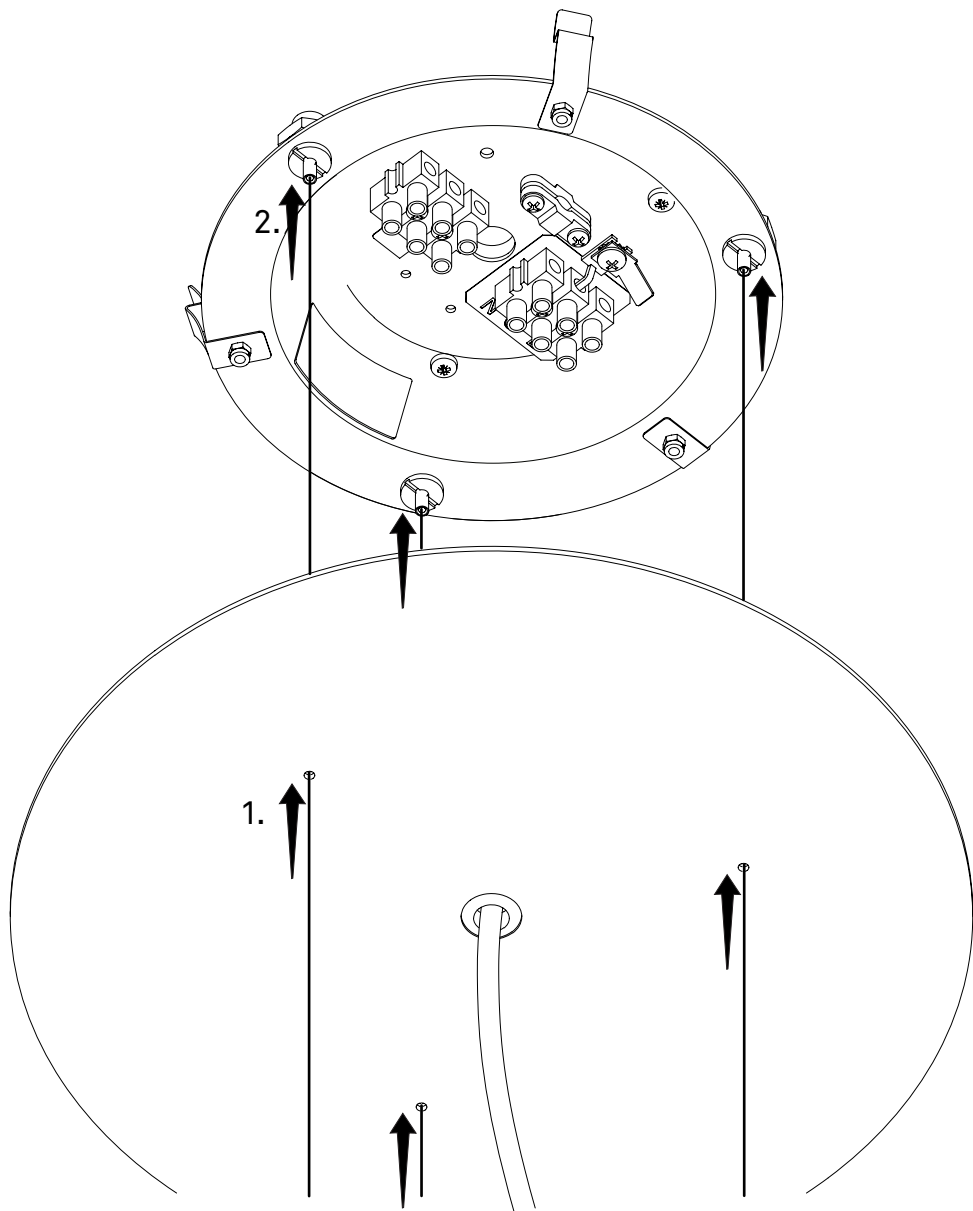
kg 5 kg

lb 4,4 lb

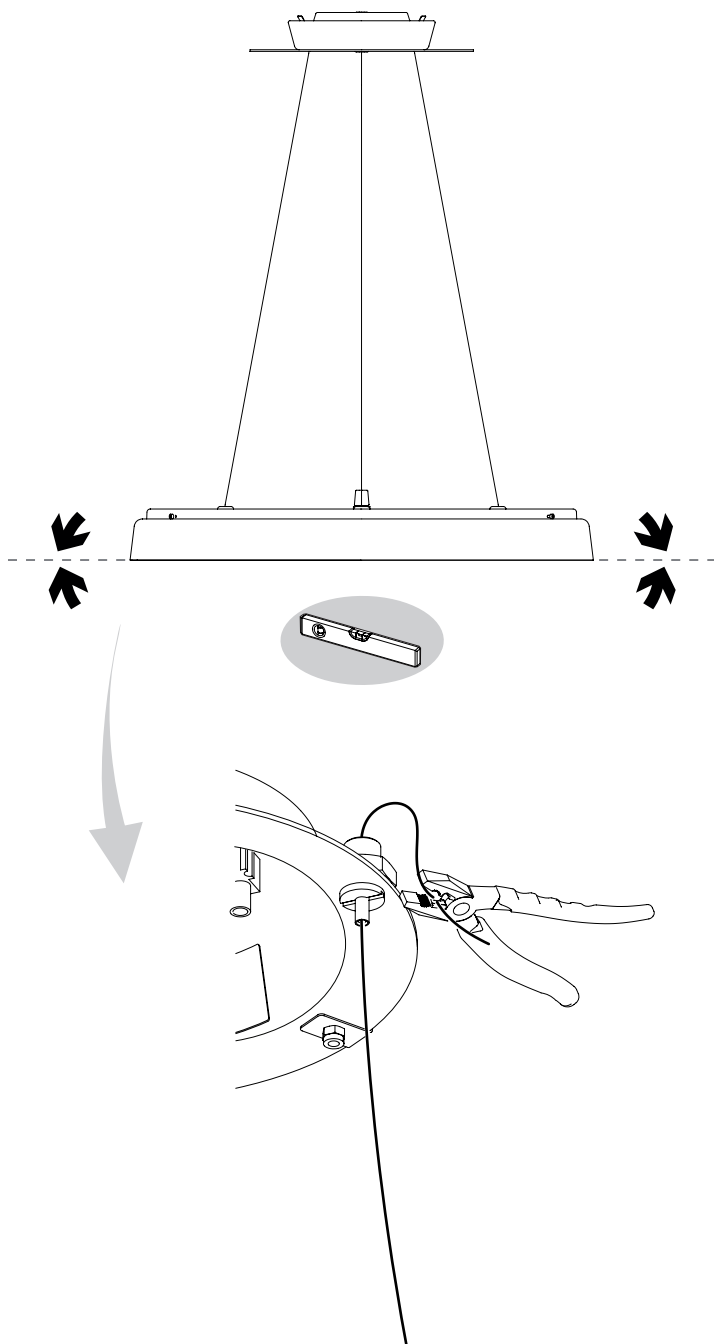
1 | 1.1



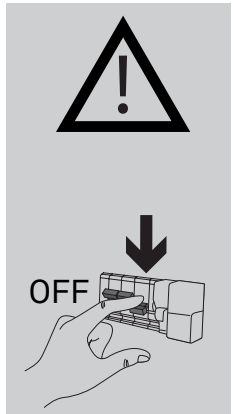
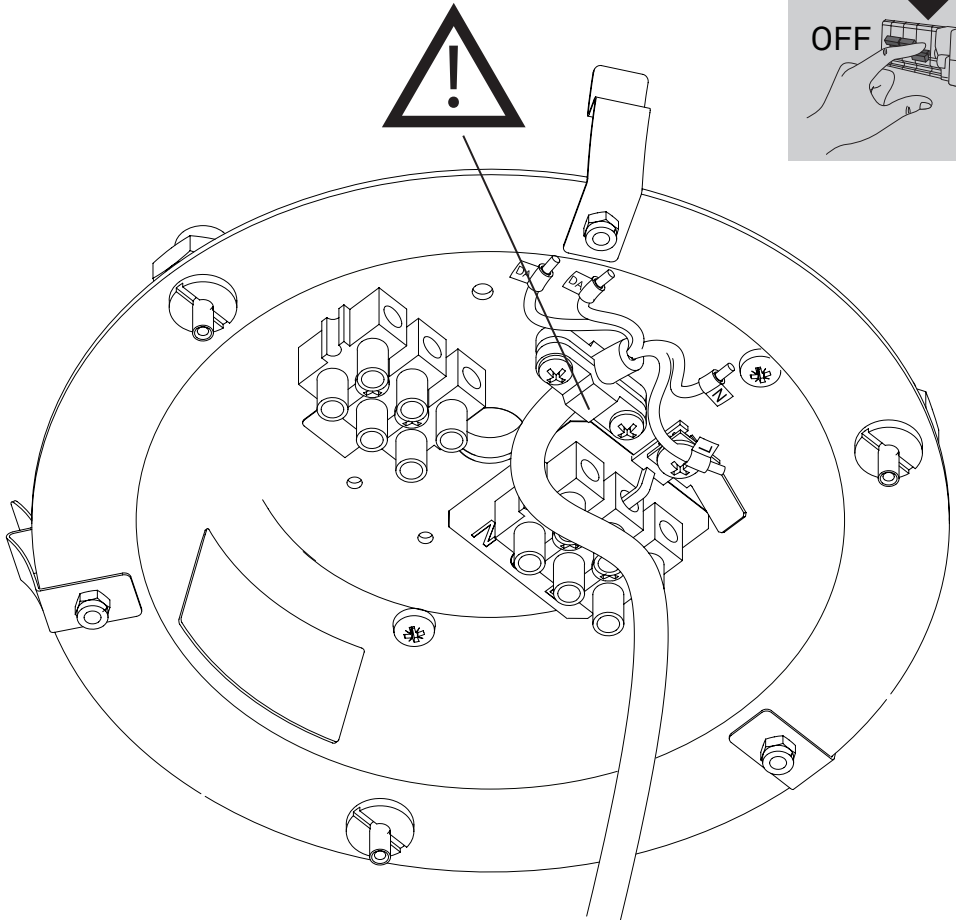
1.2



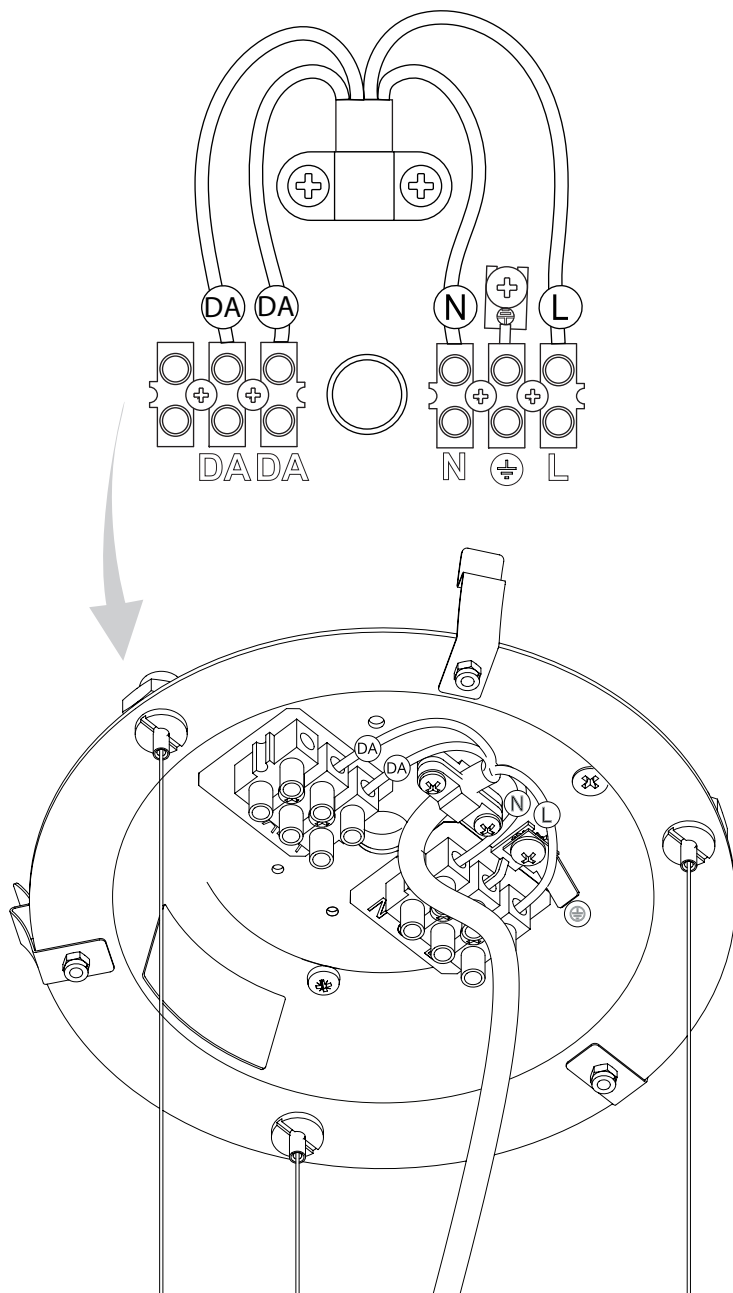
1.3



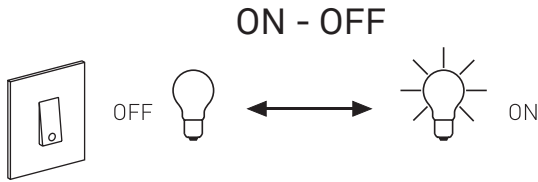
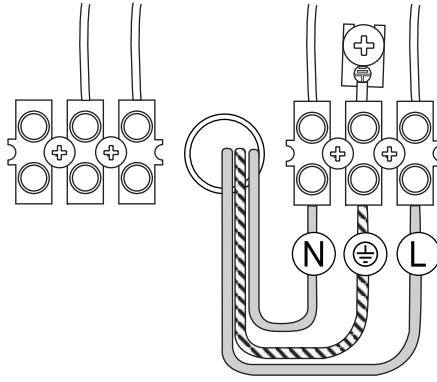
2



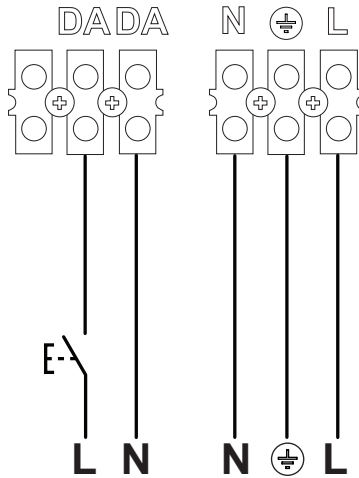
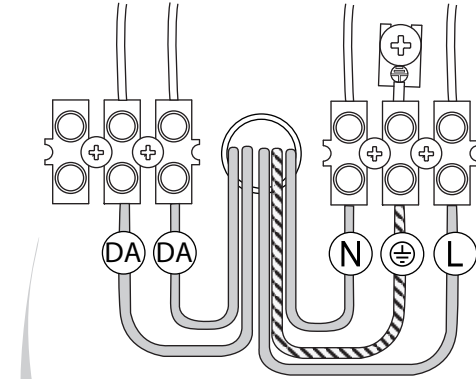
2.1



2.2



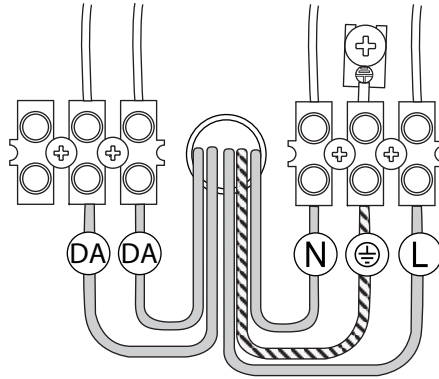
2.3



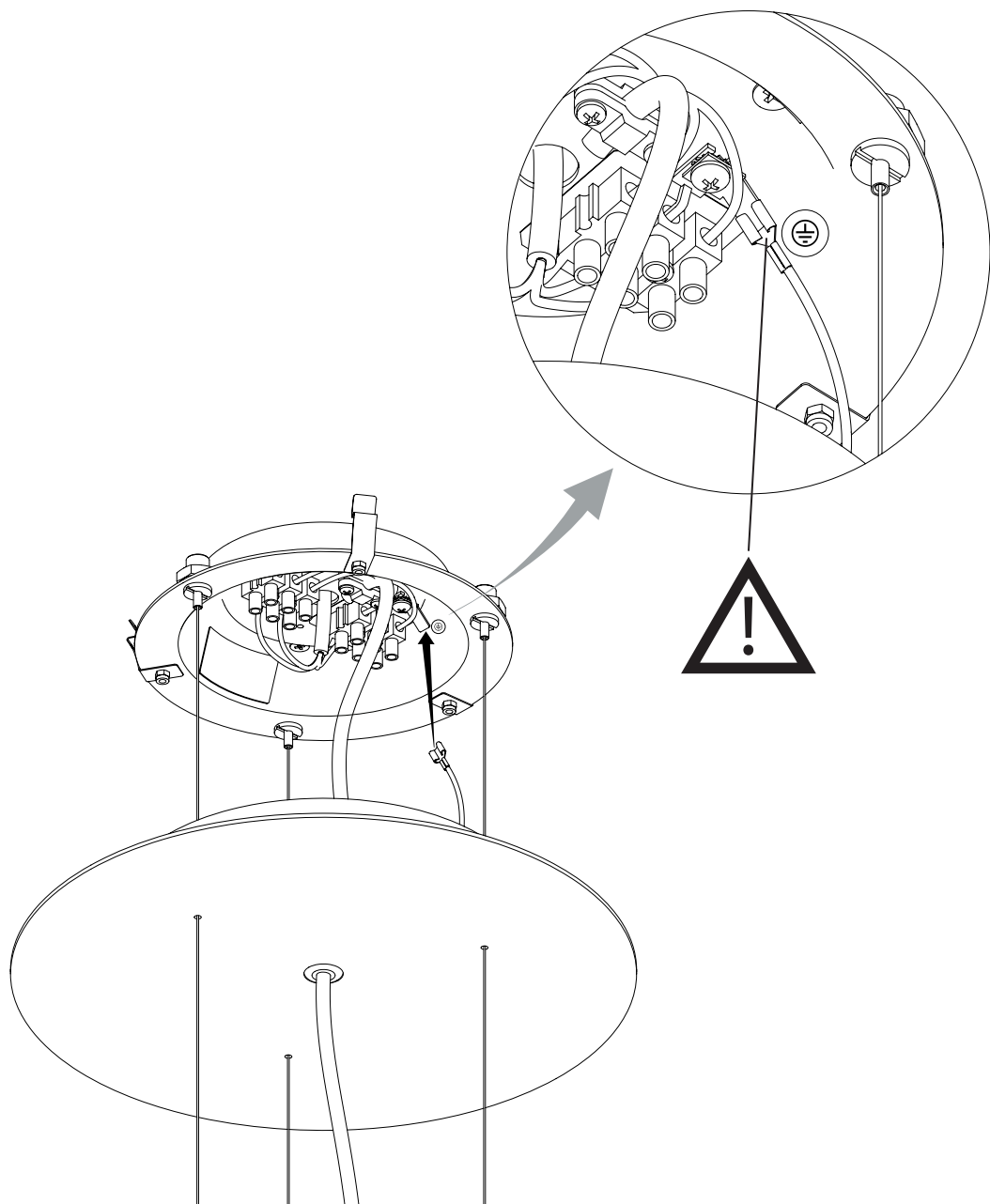
PUSH DIM



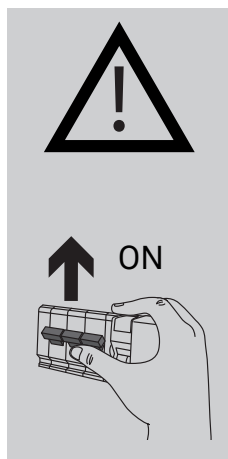
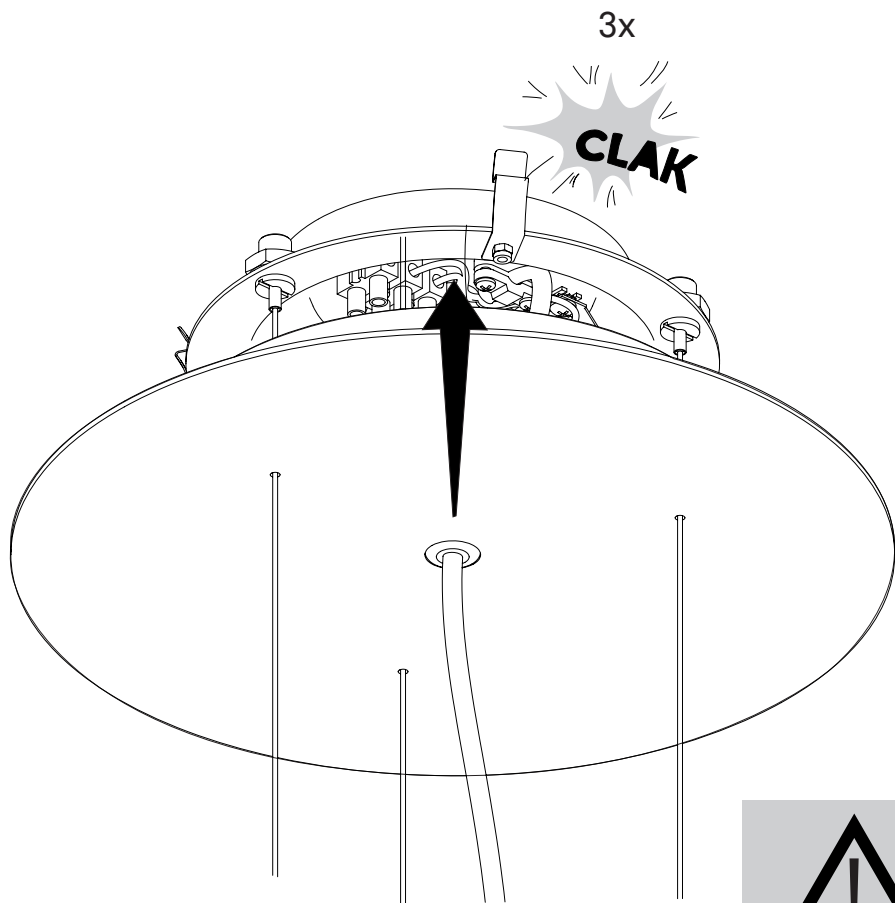
2.4

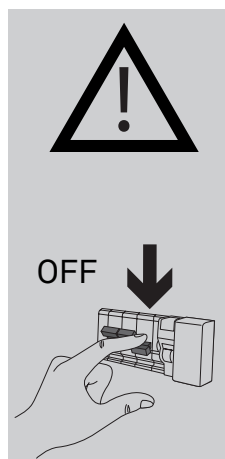
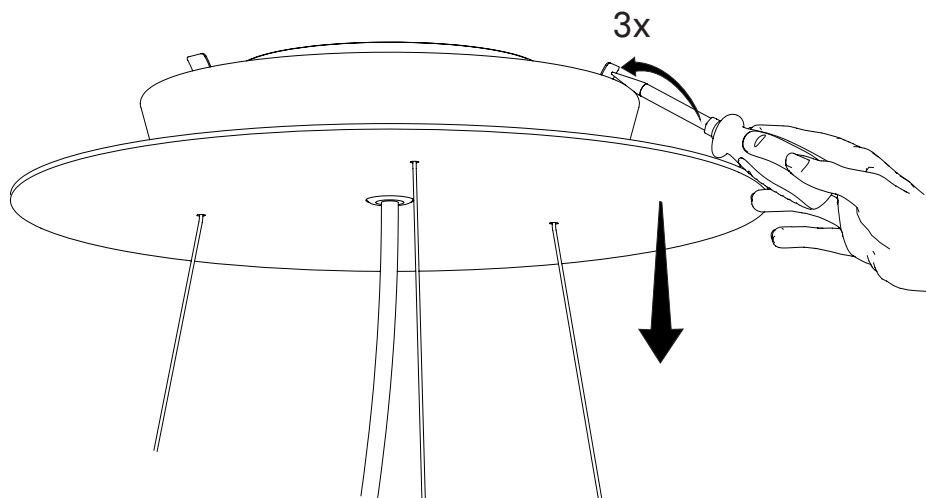
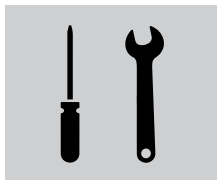


2.5

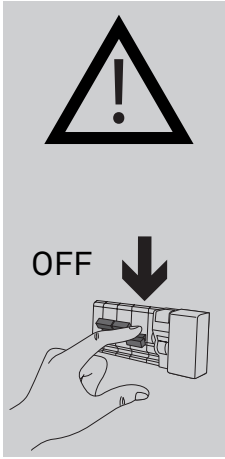


2.6

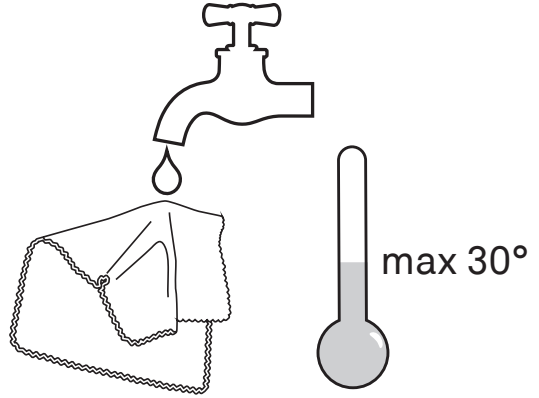




3



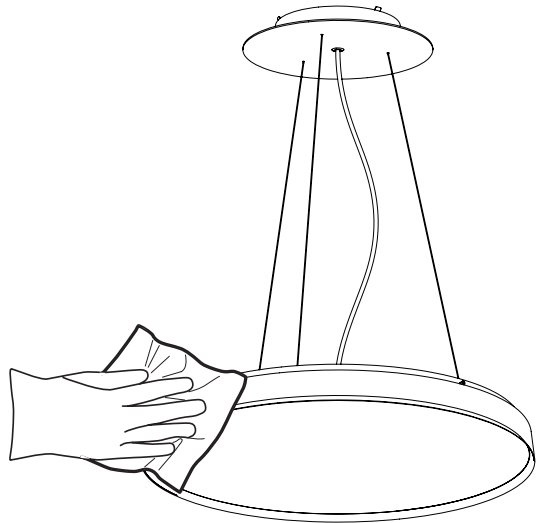
1.



2.



3.





www.luceplan.com

D81010004