

COMPENDIUM CIRCLE

design Daniel Rybakken, 2017



Type:	Suspension	
Lamps:	Ø 72 cm: LED 52W 3000K ^(*) black: 1.788 lm brass: 2.133 lm alu: 2.246 lm Ø 110 cm: LED 75W 3000K ^(*) black: 2.503 lm brass: 2.958 lm alu: 3.145 lm Ø 200 cm: LED 125W 3000K ^(*) black: 4.292 lm brass: 5.071 lm alu: 5.392 lm	EEL: A
		EEL: A
		EEL: A

Product use: Indoor

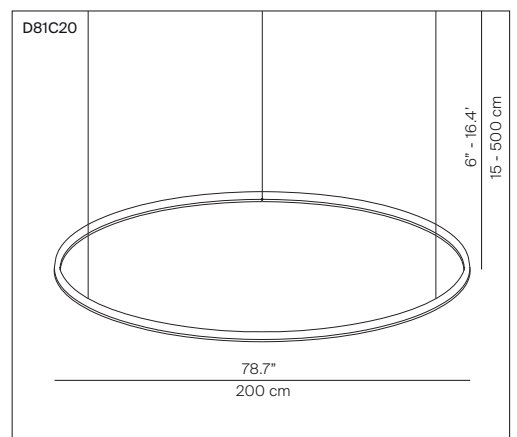
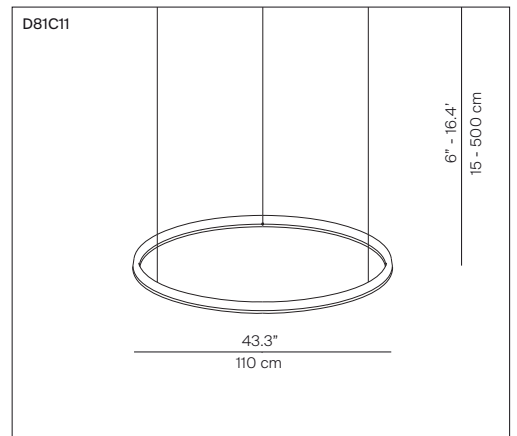
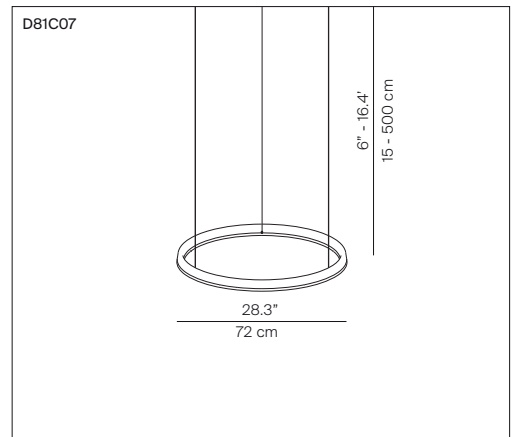
Materials: Profile in painted extruded aluminum

Colors: Black, brass, aluminum

Description: Compendium family, Circle is a lamp with a poetic nature and an essential design, whose lightness is sustained by LED technology, installed to permit direct emission when pointed downward, or diffused light when aimed upward.

Rating:

Marking:



Reference code:	Structure		
D81C07	1D810C070020	alu	
	1D810C070001	black	
	1D810C070030	brass	
D81C11	1D810C110020	alu	
	1D810C110001	black	
	1D810C110030	brass	
D81C20	1D810C200020	alu	
	1D810C200001	black	
	1D810C200030	brass	

Ceiling rose			
for D81C07	D81/4	1D810/400000	60W dimmable push/DALI
for D81C11	D81/5	1D810/500000	100W dimmable push/DALI
for D81C20	D81/6	1D810/600000	150W dimmable push/DALI

Remote drivers			
for D81C07	D81/10	1D810/100000	60W dimmable push/DALI
for D81C11	D81/11	1D810/110000	100W dimmable push/DALI
for D81C20	D81/6	1D810/120000	150W dimmable push/DALI

Cover			
	D81/8	1D810/800002	optional remote drivers cover/plate for multiple configurations

^(*) The LED lamps cannot be changed in the luminaire.
Power consumption by device

COMPENDIUM CIRCLE

design Daniel Rybakken, 2017



Distances between devices to avoid rubbing steel cable on lamp and the excessive tension of the cable.

