




COSTANZINA

design Paolo Rizzatto, 1992

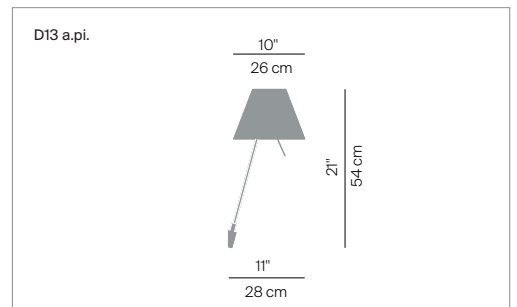
**LUCE
PLAN**

Type:	Wall	
Light source:	LED 6W E14 42W HSGSA E14 12W FB E14 energy saver	EEL: A EEL: D EEL: A
Product use:	Indoor	
Materials:	Aluminium stem interchangeable polycarbonate silkscreened shade	
Colors:	Structure in alu, black, off white Shade in white, comfort green, edgy pink, mistic white, soft skin, shaded stone, primary red, liquorice black, petroleum blue, smart yellow, concrete grey	
Description:	This lamp emits a warm and pleasant glow through light and interchangeable polycarbonate shades that cheers up the environment. The rod-switch is within easy reach next to the source of light.	

Insulation class:   

Awards: Part of the permanent Architecture and Design collection of MoMA, Museum of Modern Art, New York

Reference code:	Structure		
	D13 a.pi.	1D13ANP00020	alu
		1D13ANP00017	black
		1D13ANP00003	off white
	Shade		
	D13pi/1/4	1D13001NT002	white
	Mezzo Tono collection		
	D13pi/1/2	9D1331437737	comfort green
		9D1331437724	edgy pink
		9D1331437734	mistic white
		9D1331437738	soft skin
		9D1331437739	shaded stone
	Radieuse collection		
	D13pi/1/2	9D1331437708	primary red
		9D1331437701	liquorice black
		9D1331437736	petroleum blue
		9D1331437706	smart yellow
		9D1331437705	concrete grey



NEW COLOUR COLLECTIONS

MEZZO TONO

SOFT SKIN
CIPRIA
PUDER
ROSE PÂLE
ROSA PÁLIDO



COMFORT GREEN
VERDE ALCHIMIA
SEEGRÜN
VERT D'EAU
VERDE AGUA



MISTIC WHITE
BIANCO NEBBIA
NEBELWEISS
BLANC MYSTIQUE
BLANCO MISTICO



EDGY PINK
ROSA MISTICO
MYSTISCHES ROSA
PÊCHE
MELOCOTÓN



SHADED STONE
NOCCIOLA
NOUGAT
NOISETTE
CANELA



RADIEUSE

LIQUORICE BLACK
NERO LIQUIRIZIA
LAKRITZSCHWARZ
NOIR RÉGLISSE
NEGRO HOLLÍN



SMART YELLOW
GIALLO VIVO
KANARIENGELB
JAUNE VIF
AMARILLO FUERTE



PETROLEUM BLUE
BLU PETROLIO
PETROLBLAU
BLEU MARINE
AZUL PETROLEO



CONCRETE GREY
GRIGIO CEMENTO
BETONGRAU
GRIS BÉTON
GRIS ASFALTO



PRIMARY RED
ROSSO PRIMARIO
JOHANNISBEERROT
ROUGE PRIMAIRE
ROJO PRIMARIO

