

COSTANZINA

design Paolo Rizzatto, 1992

**LUCE
PLAN**

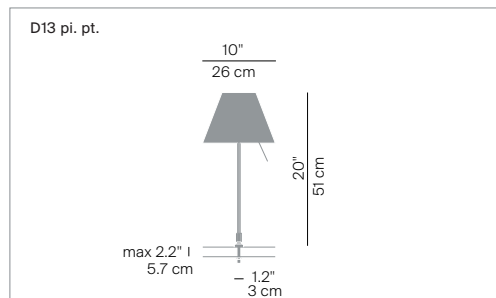
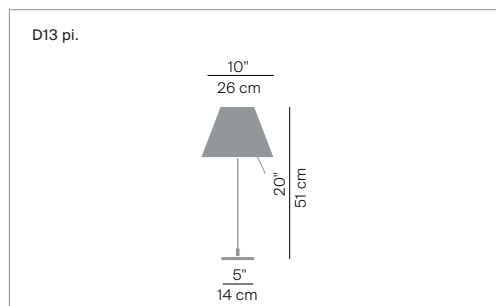
Type:	Table		
Light source	D13pi./ D13pi.pt.	42W HSGSA E14	EEL: D
		12W FB E14 energy saver	EEL: A
		LED E14	EEL: A
	D13.pic. LED	LED 7W E14 (included)	EEL: A
Product use:	Indoor		
Materials:	Aluminium stem interchangeable polycarbonate silkscreened shade		
Colors:	Structure: alu, black, off white, brass.		
	Shade: white, comfort green, edgy pink, mistic white, soft skin, shaded stone, primary red, liquorice black, petroleum blue, smart yellow, concrete grey		
Description:	A discrete but solid presence, Costanzina can easily be positioned in any room, without creating problems of style. The polycarbonate lampshade rests on the aluminium structure only two points. When bumped into, the shade can swing but doesn't fall.		



Insulation class: 

Awards: Part of the permanent Architecture and Design collection of MoMA, Museum of Modern Art, New York

Reference code:	Structure		
	D13 pi.	1D13=NP00020	alu
		1D13=NP00017	black
		1D13=NP00003	off white
		1D13=NP00030	brass
	D13 pi.pt.	1D13PNP00020	alu
	D13. pic. LED	1D13=NPLC020	complete version (alu body, white shade)
	Shade		
	D13pi/1/4	1D13=1P11N02	white
	Mezzo Tono collection		
	D13pi/1/2	9D1331437737	comfort green
		9D1331437724	edgy pink
		9D1331437734	mistic white
		9D1331437738	soft skin
		9D1331437739	shaded stone
	Radiouse collection		
	D13pi/1/2	9D1331437708	primary red
		9D1331437701	liquorice black
		9D1331437736	petroleum blue
		9D1331437706	smart yellow
		9D1331437705	concrete grey



NEW COLOUR COLLECTIONS

MEZZO TONO

SOFT SKIN
CIPRIA
PUDER
ROSE PÂLE
ROSA PÁLIDO



COMFORT GREEN
VERDE ALCHIMIA
SEEGRÜN
VERT D'EAU
VERDE AGUA



MISTIC WHITE
BIANCO NEBBIA
NEBELWEISS
BLANC MYSTIQUE
BLANCO MISTICO



EDGY PINK
ROSA MISTICO
MYSTISCHES ROSA
PÊCHE
MELOCOTÓN



SHADED STONE
NOCCIOLA
NOUGAT
NOISETTE
CANELA



RADIEUSE

LIQUORICE BLACK
NERO LIQUIRIZIA
LAKRITZSCHWARZ
NOIR RÉGLISSE
NEGRO HOLLÍN



SMART YELLOW
GIALLO VIVO
KANARIENGELB
JAUNE VIF
AMARILLO FUERTE



PETROLEUM BLUE
BLU PETROLIO
PETROLBLAU
BLEU MARINE
AZUL PETROLEO



CONCRETE GREY
GRIGIO CEMENTO
BETONGRAU
GRIS BÉTON
GRIS ASFALTO



PRIMARY RED
ROSSO PRIMARIO
JOHANNISBEERROT
ROUGE PRIMAIRE
ROJO PRIMARIO

