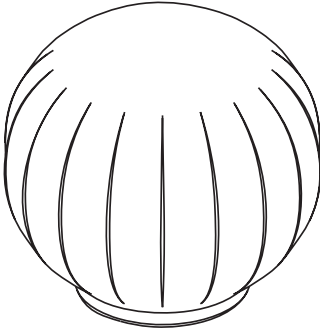
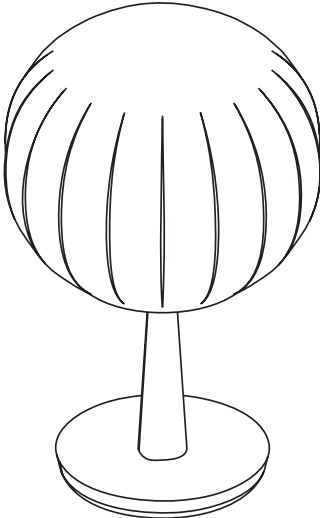


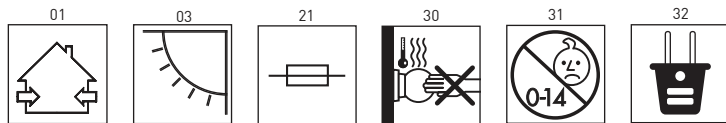
LITA

design David Dolcini

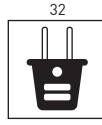
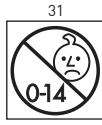
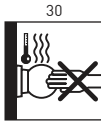
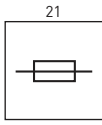
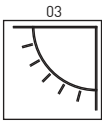
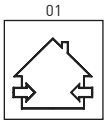


**LUCE
PLAN**

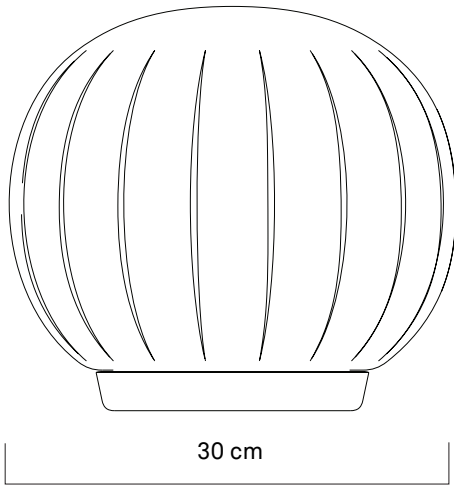
D92V30



D92=30



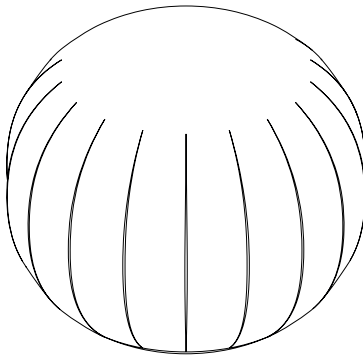
D92V30+D92/3



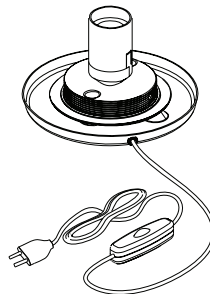
26 cm
10"

30 cm

11.8"



x1



x1

kg 2,2 kg

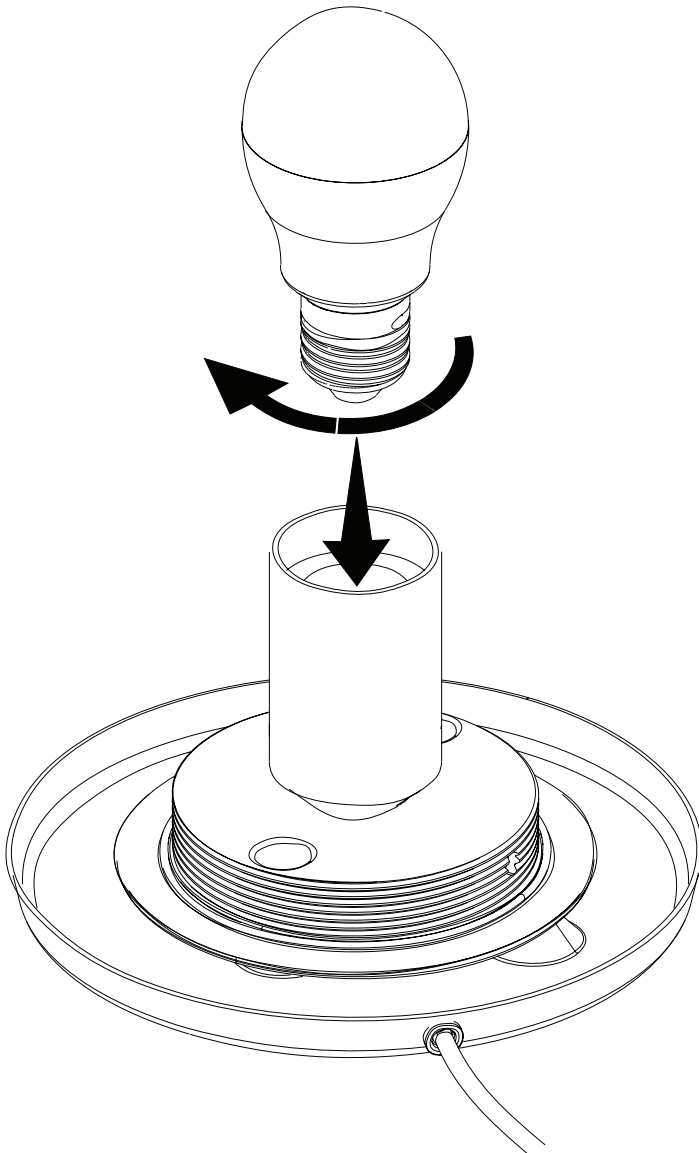
lb 4.8 lb



MAX
15W
LED
E26

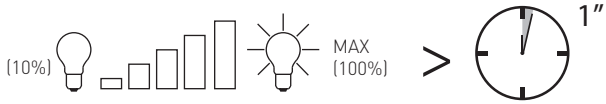
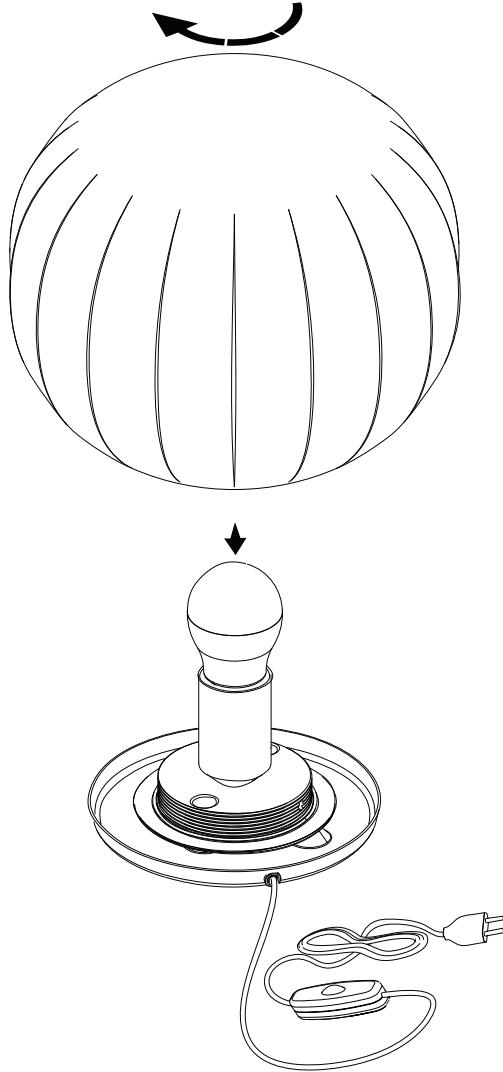
1

D92V30

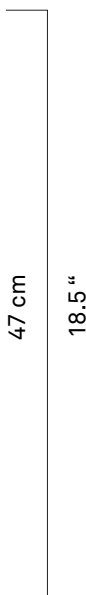
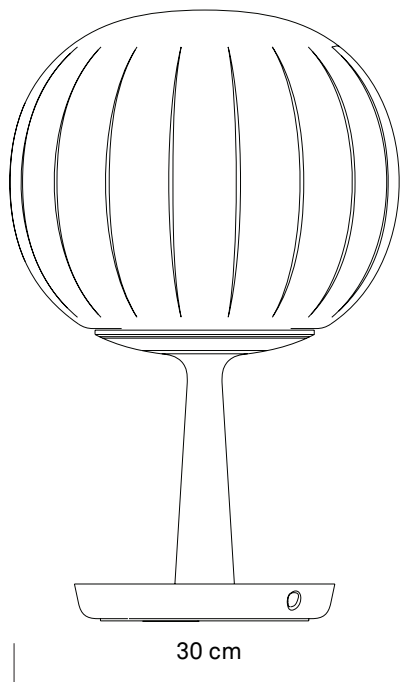


2

D92V30



D92=30+D92/3



47 cm

18.5"



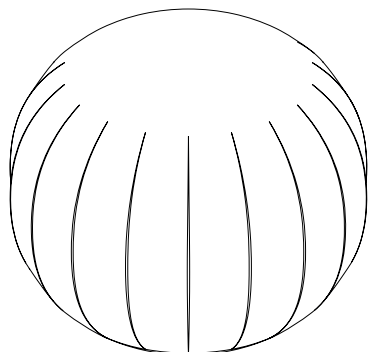
a



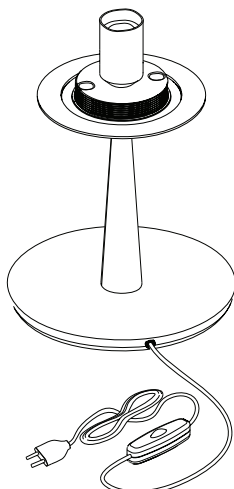
b

30 cm

11.8"



x1



x1

kg 3,0 kg

lb 6.6 lb



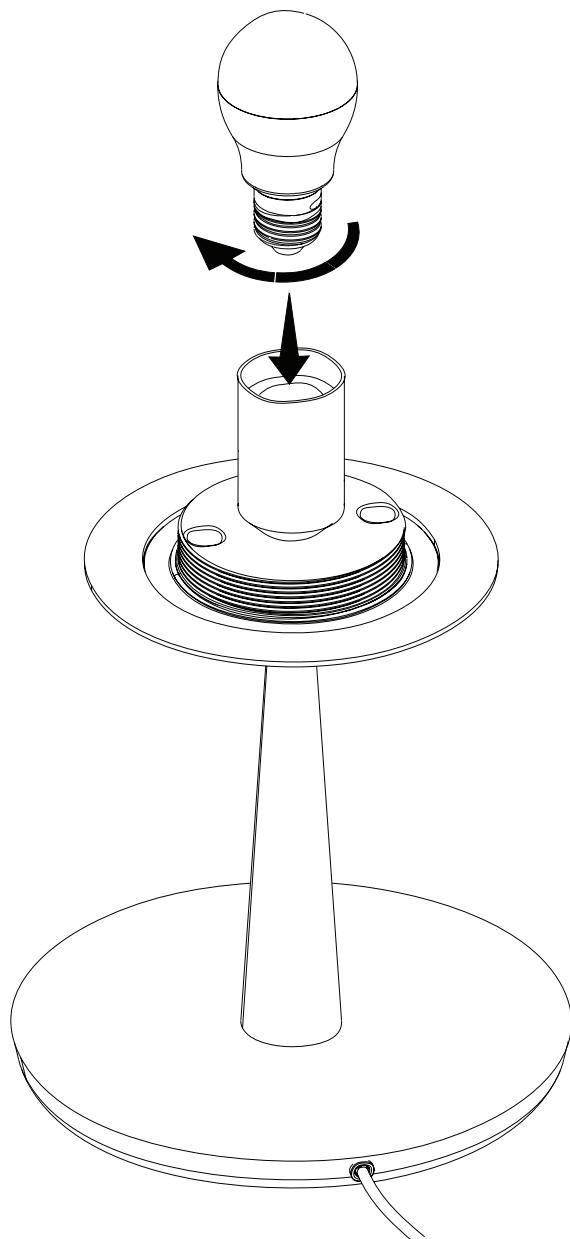
MAX
16W
LED
E26



MAX
70W
E26

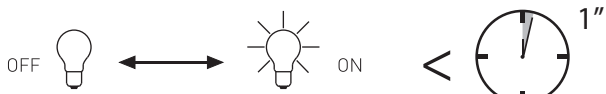
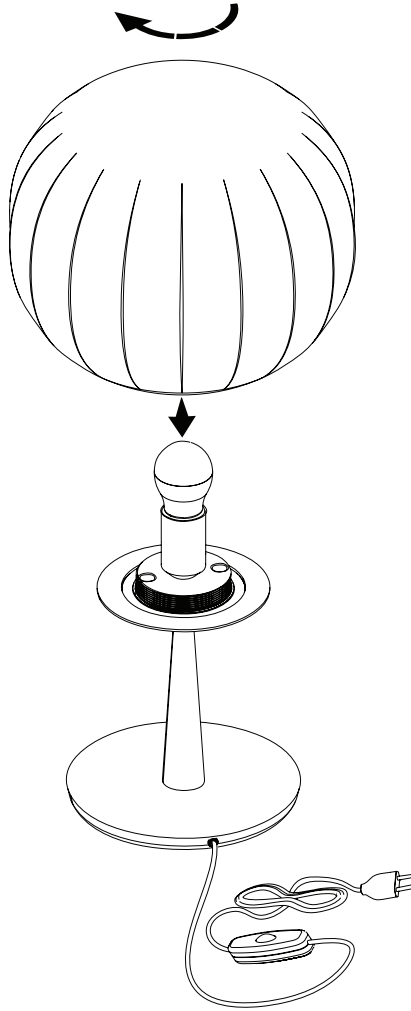
1

D92=18

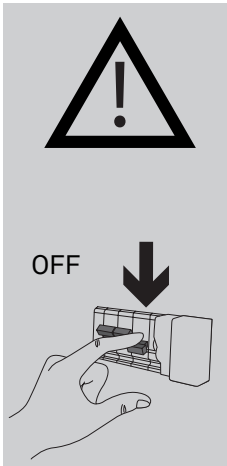


2

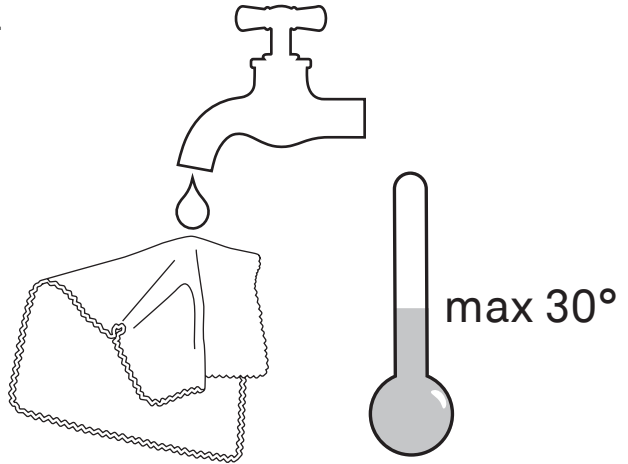
D92= 30



3



1.



2.



3.





www.luceplan.com

D920I0103