

LUTHIEN

design Monica Armani

**LUCE
PLAN**

Type: Wall




Light source: D85A LED module 21W^(*) 2700K CRI 80 dimmable phase cut EEL: A++
D85AC LED module 21W^(*) 3000K CRI 80 dimmable phase cut EEL: A++
D85AD LED module 21W^(*) 2700K CRI 80 dimmable DALI EEL: A++
D85ADC LED module 21W^(*) 3000K CRI 80 dimmable DALI EEL: A++

Product use: Indoor

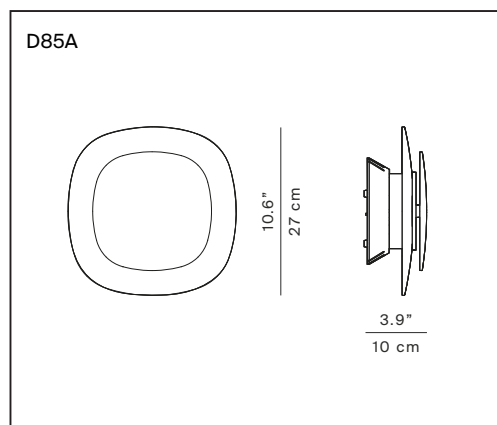
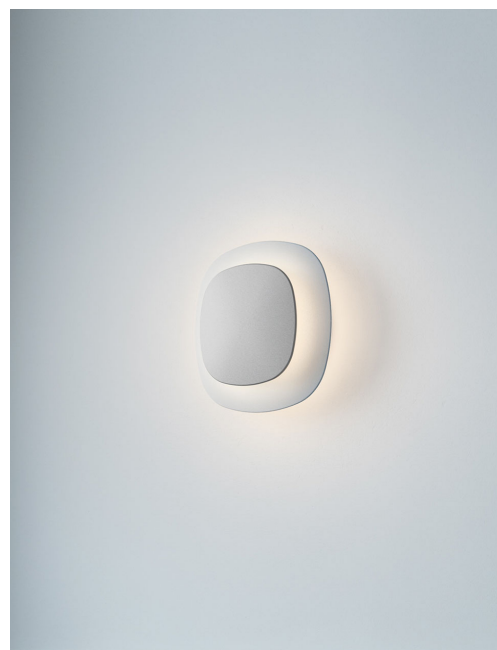
Materials: Aluminium and polycarbonate

Colors: Matt white

Description: A wall lamp with extraordinary decorative character and immediate impact. The structure is the result of the staggered overlaying of two concentric surfaces in technopolymer.

Insulation class:   

Reference code: **D85A** 1D850A000002 bianco
D85AC 1D850A0C0002 bianco
D85AD 1D850AD00002 bianco
D85ADC 1D850ADC0002 bianco



^(*) The LED lamps cannot be changed in the luminaire
Power consumption by device

