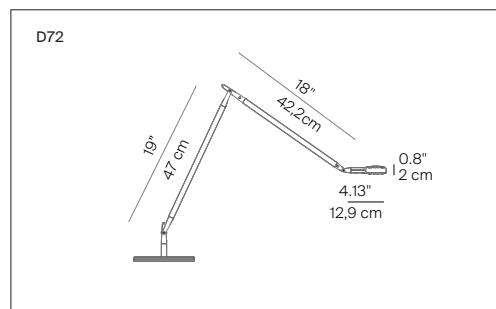


# OTTO WATT

design Alberto Meda / Paolo Rizzatto

**LUCE  
PLAN**

Type:	Table	
Light source:	LED 10W <sup>(*)</sup> 3000K	EEL: A
Product use:	Indoor	
Materials:	Aluminium	
Colors:	Mirror, black soft touch, white	
Description:	With impeccable design logic, Otto Watt interprets and applies the advent of high-efficiency LED light sources for low energy consumption. The 360° adjustable head and the reflector with a glare-proofing filter contribute to the total quality of this lamp.	

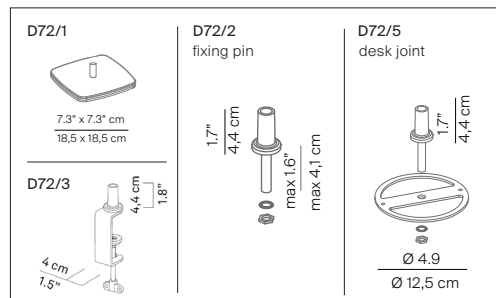


Insulation class:   

Reference code:	Structure	
	D72N1	1D720=N10018 mirror
		1D720=N10001 black soft-touch
		1D720=N10002 white

## Component

D72/1	1D72/1000018	table base mirror
	1D72/1000001	table base black soft-touch
	1D72/1000002	table base white
D72/2	1D72/2000018	fixing pin mirror
	1D72/2000001	fixing pin black soft-touch
	1D72/2000002	fixing pin white
D72/3	1D72/3000018	clamp mirror
	1D72/3000001	clamp black soft-touch
	1D72/3000002	clamp white
D72/5	1D72/5000018	desk joint mirror
	1D72/5000001	desk joint black soft-touch
	1D72/5000002	desk joint white



<sup>(\*)</sup>The LED lamps cannot be changed in the luminaire  
Power consumption by device

