

SYNAPSE

design Francisco Gomez Paz



Type: Suspension/wall

Light source: circuit with LED RGB 1W EEL: A
colour changing wireless remote control (*)

Product use: Indoor

Materials: Polycarbonate + ABS

Colors: White

Description: A new typology in the world of light. A grouped luminous cell that conceals a printed circuit and three variable-color RGB LEDs. The system is capable of producing surprising lighting scenarios, organizing spaces and volumes in unusual geometric forms created by the user.

Insulation class:

Reference code: complete version

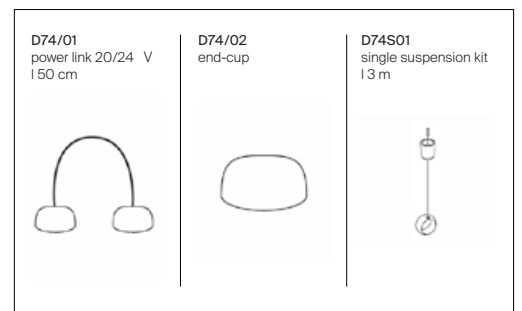
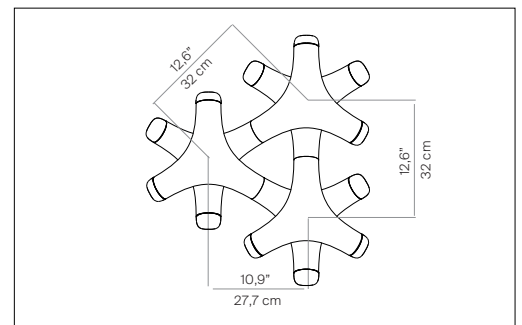
D740C1	1D74ORRC1002	white
D740C2	1D74OROC2002	white

elements

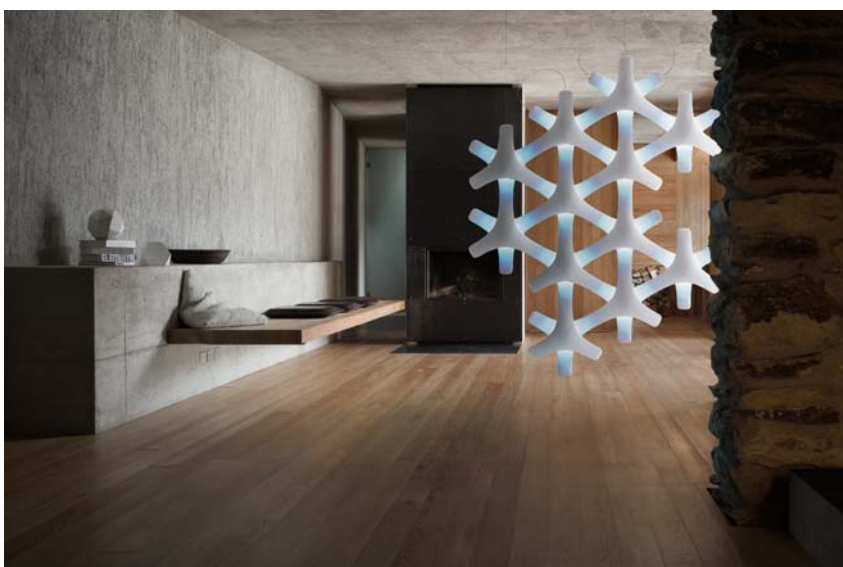
D74ORR	1D74ORR00002	white
D74000	1D7400000002	white
D74OR0	1D74OR000002	white
D74ARR	1D74ARR00002	white
D74A00	1D74A0000002	white

Components

D74/01	1D7400001002
D74/02	1D7400002002
D74S01	1D74OS001002
D74/36	1D7400036002
D74/60	1D7400060002
D74/100	1D7400100002
D74/101	1D7400101002

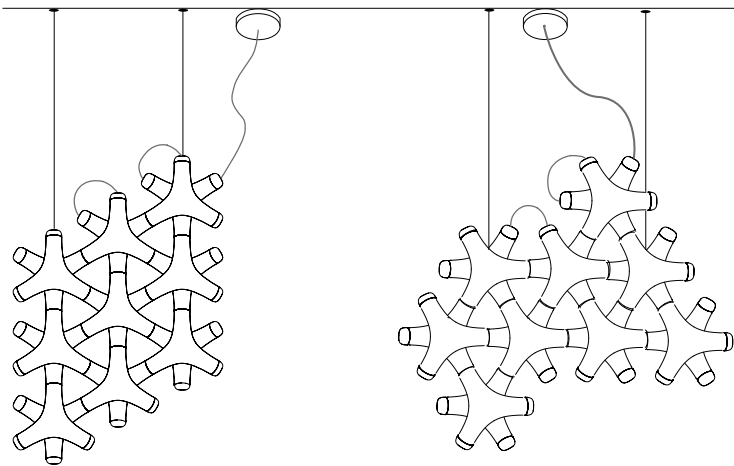


*The LED lamps cannot be changed in the luminaire



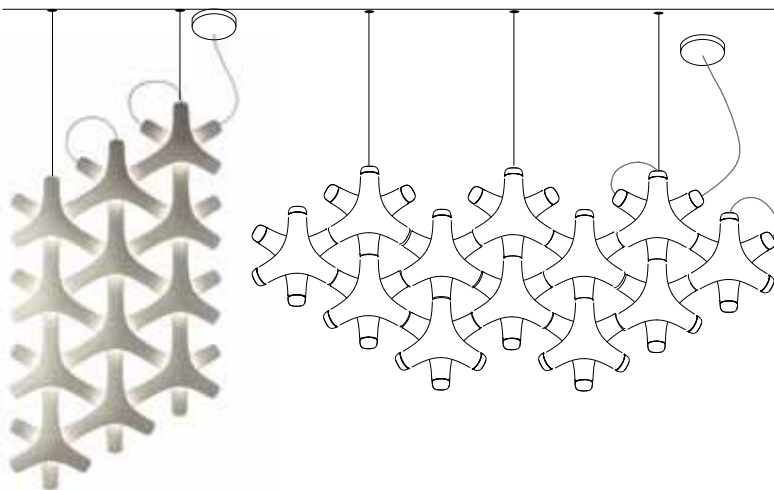
SYNAPSE COMPOSER

At the webpage synapse.luceplan.com you can download a simple, intuitive software program to generate any Synapse configuration with just a few clicks. Users can thus explore the infinite sizing and lighting potential the system.



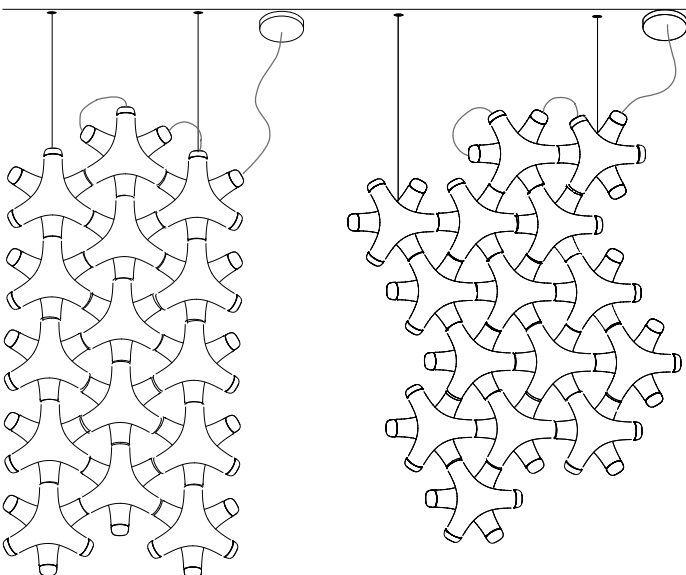
COMPOSITION WITH 18 SHELLS
COMPOSIZIONI CON 18 ELEMENTI

Description	FULL RGB	2/3 RGB	1/3 RGB	NO RGB
shell RGB	18	12	6	0
shell dummy	0	6	12	18
end-cups	17/19	19/21	21/23	22/24
power supply kit	1	1	1	0
power link	2	1	0	0
suspension kit	2	2	2	2



COMPOSITION WITH 24 SHELLS
COMPOSIZIONI CON 24 ELEMENTI

Description	FULL RGB	2/3 RGB	1/3 RGB	NO RGB
shell RGB	24	16	8	0
shell dummy	0	8	16	24
end-cups	21/25	23/27	25/29	26/30
power supply kit	1	1	1	0
power link	2	1	0	0
suspension kit	2/3	2/3	2/3	2/3



COMPOSITION WITH 30 SHELLS
COMPOSIZIONI CON 30 ELEMENTI

Description	FULL RGB	2/3 RGB	1/3 RGB	NO RGB
shell RGB	30	20	10	0
shell dummy	0	10	20	30
end-cups	25/27	27/29	29/31	30/32
power supply kit	1	1	1	0
power link	2	1	0	0
suspension kit	2	2	2	2