

# AMISOL

design Daniel Rybakken



Type: Suspension

Light source: LED 53W<sup>(\*)</sup> 3000K CRI 90  
dimmable push/DALI

D91S Ø75 cm 3.344 lm (opal version)  
2.755 lm (gold/silver version)

D91S Ø110 cm 3.218 lm (opal version)  
2.813 lm (gold/silver version)

Product use: Indoor

Materials: Aluminium body structure, plastic shader

Colors: Structure in white  
disk in opaline white, silver and gold

Description: Like a solar sail, an incredibly powerful light source projects a beam of light onto the large, almost weightless disk, either diffusing or reflecting the light.

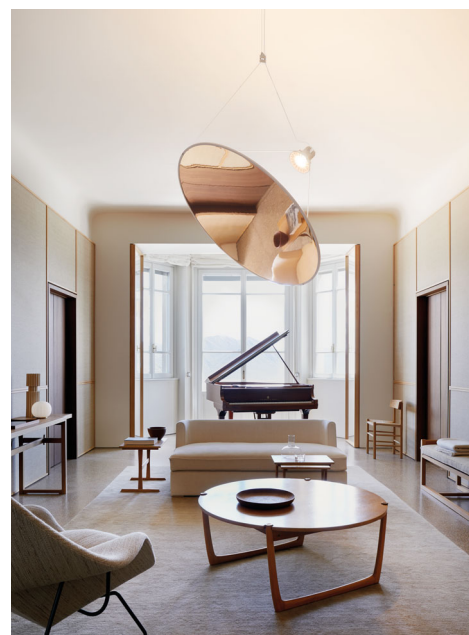
Insulation class:

Reference code: **D91S structure**  
1D910SD00002 white cable: 3 m

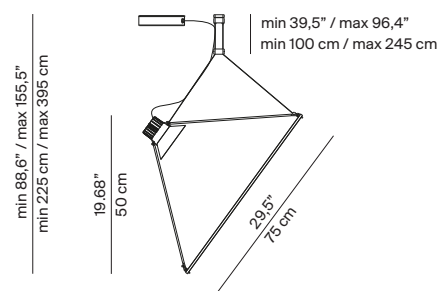
**D91/1 disk 75 cm**  
1D910/100002 opal  
1D910/100020 silver  
1D910/100030 gold

**D91/2 disk 110 cm**  
1D910/200002 opal  
1D910/200020 silver  
1D910/200030 gold

**D91/OAAR anti-rotation accessory**  
1D91/OAAR000



D91S + D91/1  
Ceiling rose: Ø 18 x 4 cm

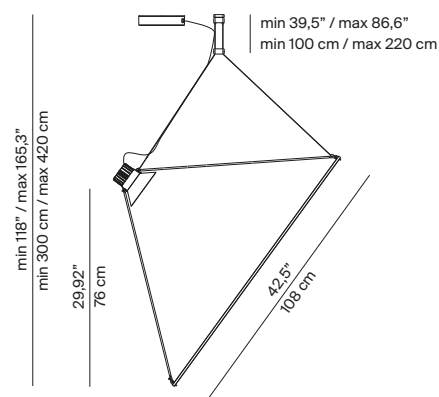


weight 2,5 Kg

(\*) Power consumption by device



D91S + D91/2  
Ceiling rose: Ø 18 x 4 cm



weight 3,0 Kg