

# ARCHETYPE

design Goodmorning Technology

**LUCE  
PLAN**

Type: Suspension  
Light source: LED 15W <sup>(\*)</sup> 2700K CRI 90 EEL: A  
dimmable phase cut or push/DALI

Product use: Indoor

Materials: Aluminium painted body, polycarbonate silkscreened shade.

Colors: White, black, light blue, red

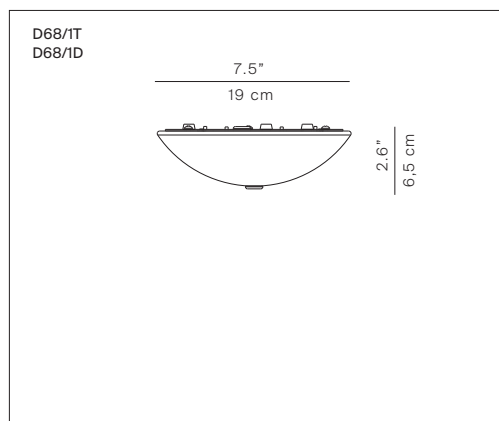
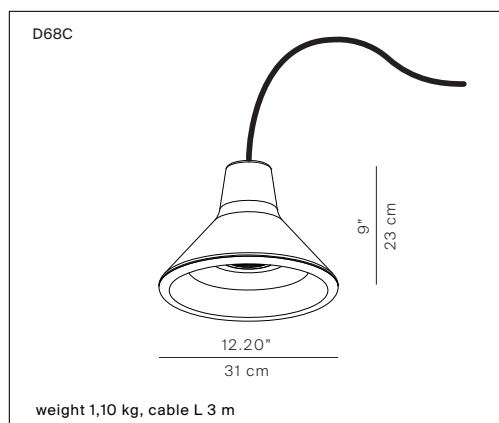
Description: A reassuring, archetypal suspension lamp with a Fifties silhouette. Designed by the Danish studio Goodmorning Technology, it references the emblematic formal rigor and functional minimalism of the legendary "Danish Modern" tradition. A timeless classic that combines high technology and innovative light diffusion with simple lines and clean forms, ideal for both classic and modern settings.

Insulation class: 

Awards: Red Dot 2012, prize

Reference code: Structure D68C  
1D680C000002 white  
1D680C000001 black  
1D680C000023 light blue  
1D680C000007 red

Reference code: Ceiling rose D68/1T, dimmable phase cut  
1D680/1T0002 white  
  
Ceiling rose D68/1D, dimmable push/DALI  
1D680/1D0002 white



<sup>(\*)</sup> The LED lamps cannot be changed in the luminaire  
Power consumption by device

