




CAPPUCCINA

Design Inga Sempé

LUCE
PLAN

Type:	Table	
Light source	LED 12W ⁽¹⁾ 2700K CRI 90 with D88/1 cream: 698 lm	EEL: A
Product use:	Indoor	
Materials:	Structure in die-cast aluminum (base and holder) and extruded aluminum (stem), diffuser in opaline blown glass, shade in fabric bonded to thermoplastics	
Colors:	structure: glacier light grey shades: brown/pluie, cream, green/cochenille	
Description:	Cappuccina by Inga Sempé is a fixture composed of a slender metal base and a spherical luminous body in opaline glass, containing an LED module, on which the fabric shade simply rests, without attachment: this configuration makes it possible to move the shade and orient the light to meet different needs.	



Insulation class:   

Reference code: Structure
D88W 1D880=DW0004 glacier light grey

Shade
D88/1 1D8801000028 brown/pluie
1D8801000003 cream
1D8801000011 green/cochenille



brown / pluie



cream



green / cochenille

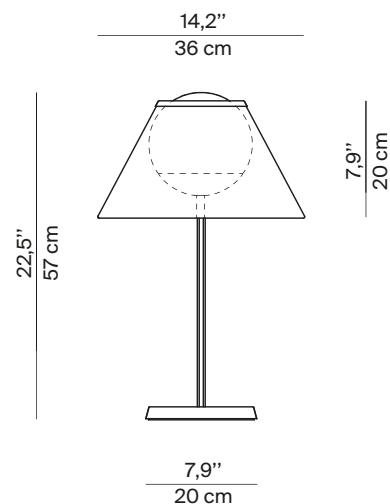
Anti fall accessory
D88/3 1D8803000000

⁽¹⁾ The LED lamps cannot be changed in the luminaire
Power consumption by device



www.luceplan.com

D88



D88/3 accessory

