

# COMPENDIUM

design Daniel Rybakken

**LUCE  
PLAN**

Type: Suspension

Lamps: D81B2 + D81/25T LED 37W <sup>(\*)</sup> 3000K  
D81BW2 + D81/25T LED 37W <sup>(\*)</sup> 2700K  
dimmmable phase cut

D81B2 + D81/25D LED 37W <sup>(\*)</sup> 3000K  
D81BW2 + D81/25D LED 37W <sup>(\*)</sup> 2700K  
dimmmable push/DALI

Product use: Indoor

Materials: Profile in extruded aluminum anodized in various colors.

Colors: Black, brass, aluminum

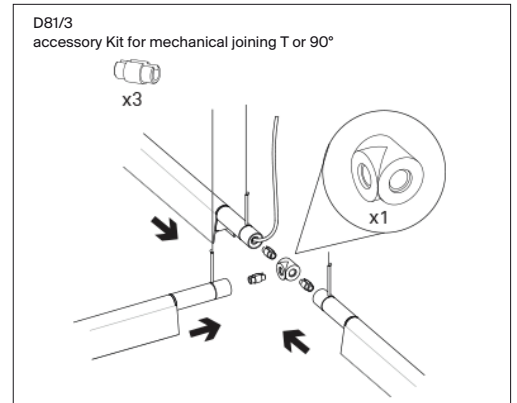
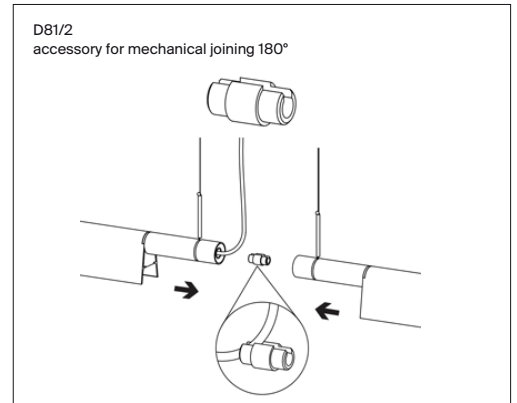
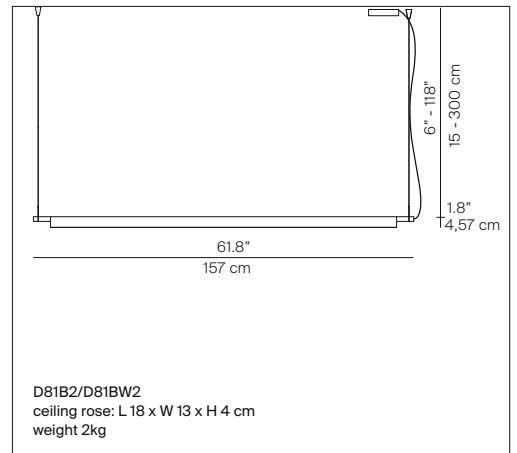
Description: Compendium stands out for the evocative graphic-sculptural impact of their slim silhouette.

Rating:   220-240 V ~ 50/60 Hz  
IP20

Marking: 

Reference code: Structure

D81B2	1D810B020030	brass	1.926 lm
3000K	1D810B020020	alu	1.926 lm
	1D810B020001	black	1.516 lm
D81BW2	1D810BW20030	brass	1.848 lm
2700K	1D810BW20020	alu	1.848 lm
	1D810BW20001	black	1.453 lm
Ceiling rose push/DALI			
D81/25D	1D810/25D000	white	
Ceiling rose phase cut			
D81/25T	1D810/25T000	white	
Accessory			
D81/2	1D810/200001	black	
D81/3	1D810/300001	black	



<sup>(\*)</sup> Power consumption by device

