

# DIADE

design Monica Armani

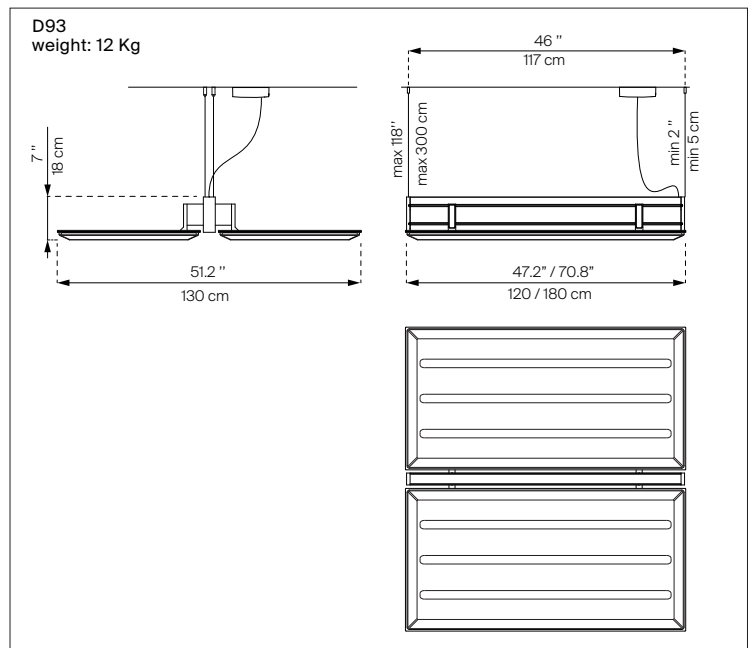
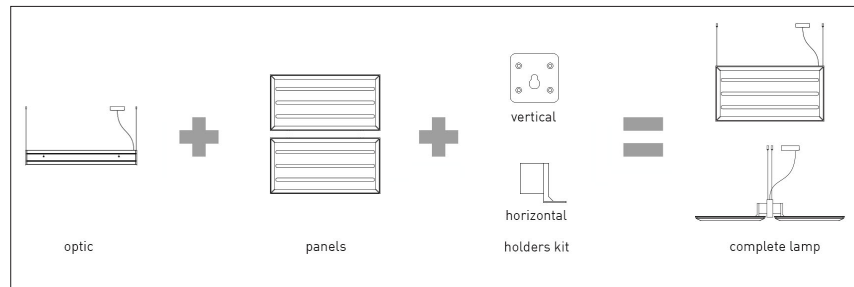
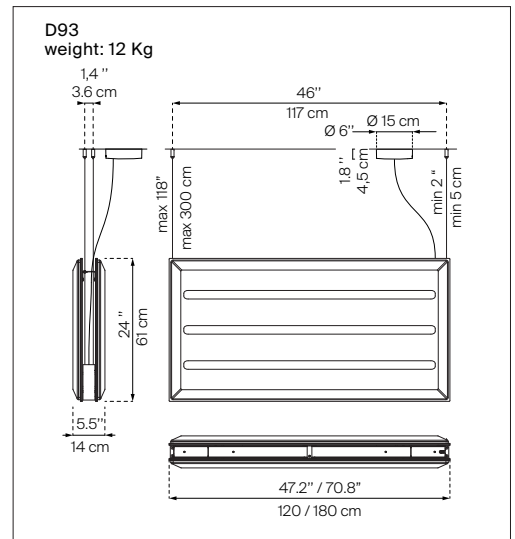


- Type: Suspension
- Light source: **120 cm version (dimmable push/DALI) direct version**  
 LED 54W, 3000K CRI 80  
**direct/indirect version (only for horizontal configuration)**  
 LED 54W + 29W, 3000K CRI 80
- 180 cm version (dimmable push/DALI) direct version**  
 LED 80W, 3000K CRI 80  
**direct/indirect version (only for horizontal configuration)**  
 LED 80W + 46W, 3000K CRI 80
- Product use : Indoor
- Material: Lamp body in aluminium  
 Sound-absorbing panel in molded pet
- Colors: structure: natural grey aluminium  
 panel: White/Black, White/Blue, White/Beige
- Description : A linear LED lamp for the workplace, the technical LED lighting, ideal for work, is directly downward by the central line, with the possibility of two beams, depending on lighting requirements.



Insulation class:

<sup>1)</sup> The LED lamps cannot be changed in the luminaire  
 Power consumption by device



Reference code: **Structure 120 cm**

D93SDDC	1D930SDDC020	(direct light) alu
D93SDIC	1D930SDLC020	(direct/indirect light) alu
D93SFIC	1D930SFIC020	(direct/indirect light with anti-glare) alu 1.890 lm (downlight) and 3.096 lm (uplight)

**Panels 120 cm**

D93/1	1D93010000A1	white/black
	1D93010000A2	white/blue
	1D93010000A4	white/beige

**Structure 180 cm**

D93SDDL	1D930SDDL020	alu
D93SDIL	1D930SDLL020	(direct/indirect light) alu
D93SFIL	1D930SFIL020	(direct/indirect light with anti-glare) alu 2.835 lm (downlight) and 5.161 lm (uplight)

**Panels 180 cm**

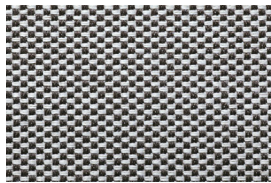
D93/3	1D93030000A1	white/black
	1D93030000A2	white/blue
	1D93030000A4	white/beige

**Vertical support kit**

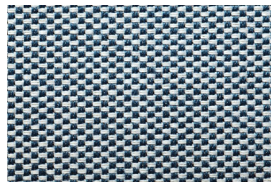
D93/5	1D9305000020	alu (kit 4 supports)
D93/7	1D9307000020	alu (kit 6 supports)

**Orizzontal support kit**

D93/6	1D9306000020	alu (kit 4 supports)
D93/8	1D9308000020	alu (kit 6 supports)



White/Black



White/Blue



White/Beige