

# ÉCRAN IN&OUT

design Inga Sempé

**LUCE  
PLAN**

Type: Wall

Light source: LED 8W 3000K<sup>(\*)</sup> CRI 80 EEL: A




Product use: Indoor/Outdoor

Materials: Injection-moulded polycarbonate

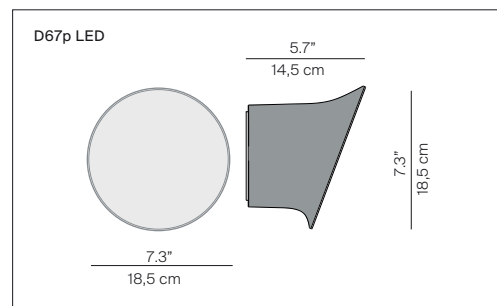
Colors: Opal white, sand

Description: Écran In & Out is an indoor/outdoor wall lamp with a diffuser that expands from the base to form a screen. Made in watertight IP65 polycarbonate to resist weathering, Écran In & Out has an LED light source for long-lasting performance.

Certifications: **IP65**

Insulation class:   

Reference code: Structure  
1D670PN10002 opal white  
1D670PN10034 sand



<sup>(\*)</sup>The LED lamps cannot be changed in the luminaire  
Power consumption by device

