

Fienile outdoor

Design Daniel Rybakken

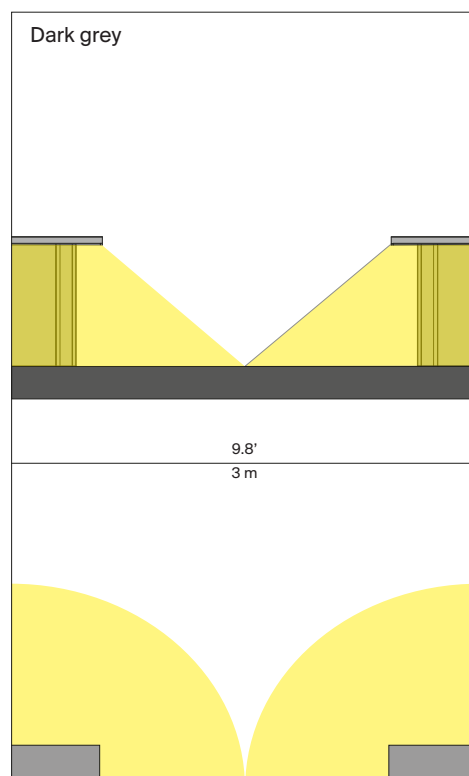
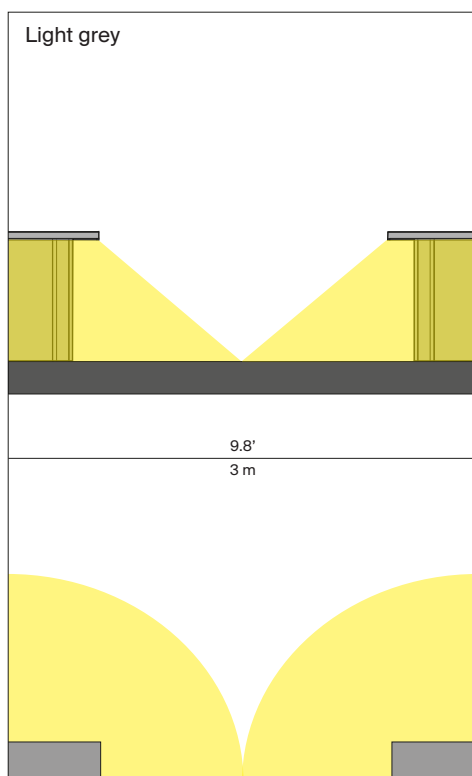
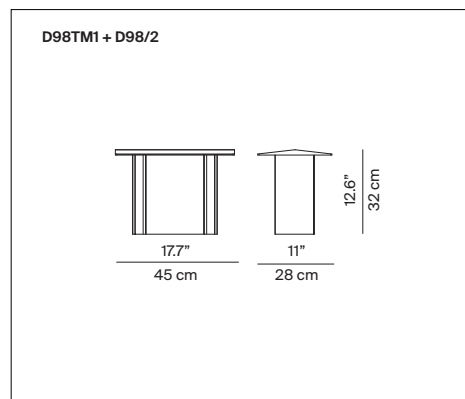


- Type: Floor
- Light source: LED 19W, 3000K, CRI 90, 24Vdc SELV
available with:
on/off LED remote driver ^(*)
dimmable push/DALI remote driver ^(*)
Light grey: 923 lm
Dark grey: 780 lm
- Product use: Outdoor
- Materials: Structure: aluminium structure
Screen: polycarbonate
- Colors: Light grey, Dark grey
- Description: Originally created as a table lamp, Fienile is also available in floor lamp versions for outdoor use, based on the same design inspired by the iconic rural buildings of Norway. Fienile Outdoor is a work of micro-architecture, with its walls and pitched roof extruded in a single, solid block of coated aluminium, while the diffuser is in polycarbonate.
- Rating: D98TM1 + D98/2 - D98/3 + D98/5 - D94/1
220-240 V ~ 50/60 Hz, 22W



Insulation class and mark: **IP65 IK05**

- Reference code: **optic**
- | | | |
|--------|--------------|------------|
| D98TM1 | 1D980TM10005 | Dark grey |
| | 1D980TM10020 | Light grey |
- structure H 32 cm**
- | | | |
|-------|--------------|------------|
| D98/2 | 1D980/020005 | Dark grey |
| | 1D980/020020 | Light grey |
- remote driver ^(*)**
(the junction box is recommended watertight IP68)
- | | | |
|-------|--------------|------------------------------|
| D98/5 | 1D980/050000 | independent on/off driver |
| D94/1 | 1D940/100000 | independent push/DALI driver |



Fienile outdoor

Design Daniel Rybakken



Type: Floor
 Lamps: LED 17W, 3000K, CRI 90
 available with:
 on/off LED remote driver (*)
 dimmable push/DALI remote driver (*)
 Light grey: 886 lm
 Dark grey: 662 lm

Product use: Outdoor

Materials: Structure: aluminium
 Screen: polycarbonate

Colors: Light grey, Dark grey

Description: Originally created as a table lamp, Fienile is also available in floor lamp versions for outdoor use, based on the same design inspired by the iconic rural buildings of Norway. Fienile Outdoor is a work of micro-architecture, with its walls and pitched roof extruded in a single, solid block of coated aluminium, while the diffuser is in polycarbonate.



Reference code:

optic
 D98TM1 1D980TM10005 Dark grey
 1D980TM10020 Light grey
structure H 72 cm
 D98/3 1D980/030005 Dark grey
 1D980/030020 Light grey
remote driver (*)
 (the junction box is recommended watertight IP68)
 D98/5 1D980/050000 independent on/off driver
 D94/1 1D940/100000 independent push/DALI driver

