

LADY COSTANZA

design Paolo Rizzato

**LUCE
PLAN**

Type: Floor/Suspension

Light source: D13Ed - D13 Ead LED E27 dimmable
105W HSGSA E27




D13Ei - D13Eai LED E27 dimmable
D13E sas 105W HSGSA E27

Product use: Indoor

Materials: Aluminium stem, polycarbonate shade

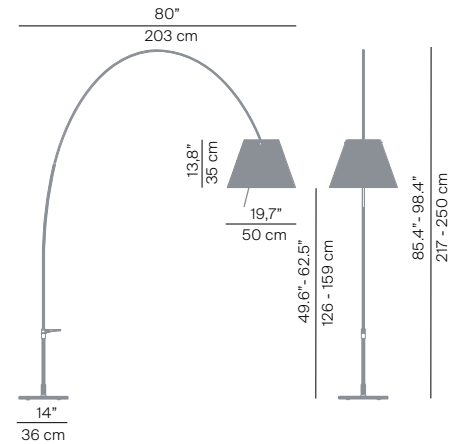
Colors: Structure in alu, black
Shade in white, red, black

Description: The telescopic control of the stem and the 360° rotation on the base bring an elegant adaptability to Lady Costanza, allowing the user to change the height and direction of the diffuser. The extraordinary lightness of the structure and handle on the base also make it easy to move the lamp. Lady Costanza is now proposed in suspension version

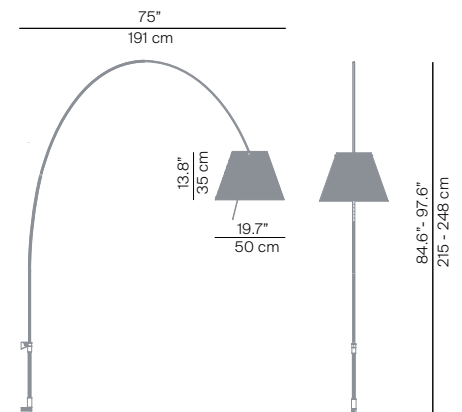
Insulation class:   

| | | | |
|-----------------|-----------|--------------|--------------|
| Reference code: | Structure | | |
| | D13Ed | 1D13GED00020 | alu |
| | | 1D13GED00017 | black |
| | D13Ei | 1D13GEI00020 | alu |
| | | 1D13GEI00017 | black |
| | D13Ead | 1D13GEDA0020 | alu |
| | D13Eai | 1D13GEIA0020 | alu |
| | D13E sas | 1D13GESA0020 | alu |
| | Shade | | |
| | D13E/1 | 1D13GE/01002 | white |
| | | 1D13GE/01001 | black |
| | | 1D13GE/01008 | red |
| | | 1D13GE/01039 | shaded stone |

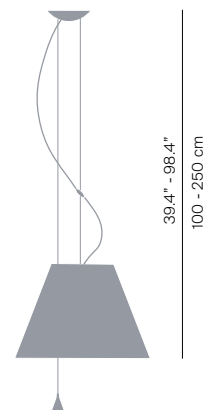
D13 Ed - D13 Ei



D13 Ead - D13 Eai



D13E sas



weight 0,96 Kg
ceiling rose Ø 12 cm x h 3 cm

