

OTTO WATT

design Alberto Meda / Paolo Rizzatto

**LUCE
PLAN**




Type: Table
Light source: LED 8W ^(*) 3000K CRI 80 371 lm EEL: A
dimmer on board

Product use: Indoor

Materials: Aluminium

Colors: Mirror, black soft touch, white

Description: With impeccable design logic, Otto Watt interprets and applies the advent of high-efficiency LED light sources for low energy consumption. The 360° adjustable head and the reflector with a glare-proofing filter contribute to the total quality of this lamp.

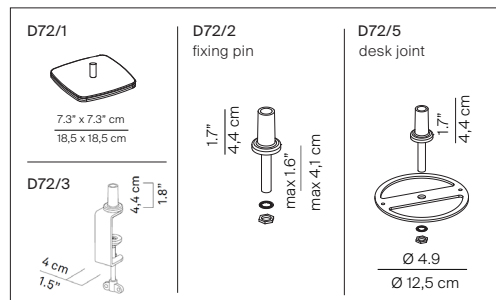
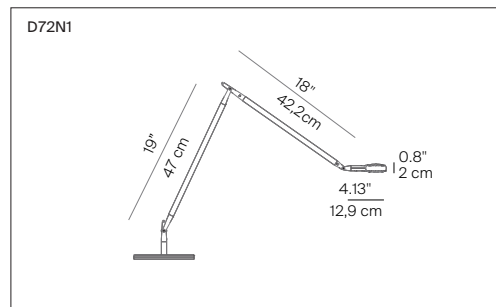
Insulation class:   

Reference code: Structure

| | | |
|-------|--------------|------------------|
| D72N1 | 1D720=N10018 | mirror |
| | 1D720=N10001 | black soft-touch |
| | 1D720=N10002 | white |

Component

| | | |
|-------|--------------|-----------------------------|
| D72/1 | 1D72/1000018 | table base mirror |
| | 1D72/1000001 | table base black soft-touch |
| | 1D72/1000002 | table base white |
| D72/2 | 1D72/2000018 | fixing pin mirror |
| | 1D72/2000001 | fixing pin black soft-touch |
| | 1D72/2000002 | fixing pin white |
| D72/3 | 1D72/3000018 | clamp mirror |
| | 1D72/3000001 | clamp black soft-touch |
| | 1D72/3000002 | clamp white |
| D72/5 | 1D72/5000018 | desk joint mirror |
| | 1D72/5000001 | desk joint black soft-touch |
| | 1D72/5000002 | desk joint white |



^(*)The LED lamps cannot be changed in the luminaire
Power consumption by device

