

COMPENDIUM PLATE



design Daniel Rybakken



- Type: Ceiling/wall/suspension
- Light source: LED 75W 2700K(*) CRI 90 3.753 lm
dimmable phase cut and push/DALI
- Product use: Indoor
- Materials: Brushed aluminum, injected thermoplastics
- Colors: Black, brass, aluminium
- Description: The external profile in brushed extruded aluminium conserves the slim original thickness, creating a surface almost flush with the wall. In spite of its extremely slender design, Compendium Plate provides extraordinary lighting efficiency combined with a clean form and extreme elegance.

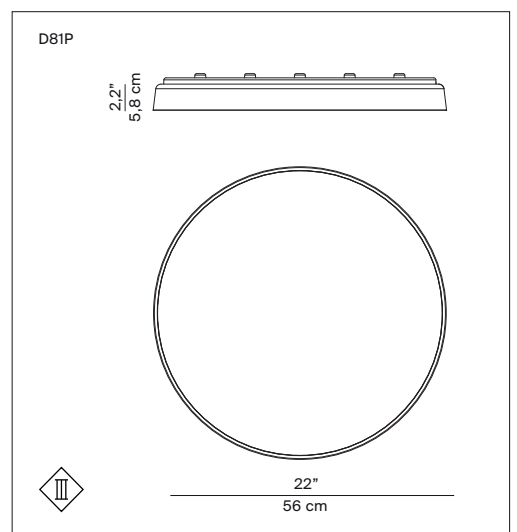
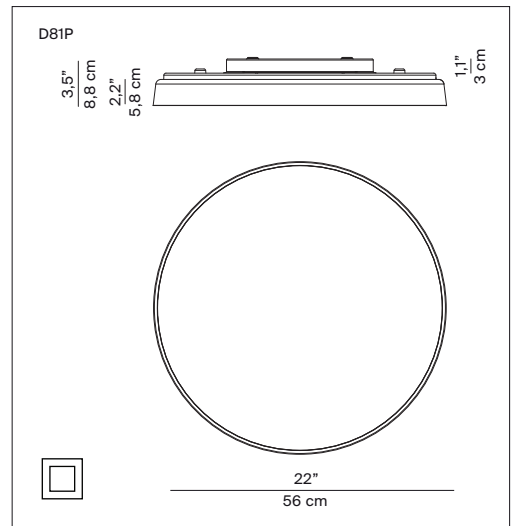


Insulation class and marks:

 IP40
 IP40

Rating: 220-240 V ~ 50/60 Hz, 75W

Reference code:	structure 2700K		
	D81P2W	1D810P2W0001	black
		1D810P2W0030	brass
		1D810P2W0020	alu
	structure 3000K		
	D81P2	1D810P200001	black
		1D810P200030	brass
		1D810P200020	alu
	ceiling rose		
	D81/28D	1D810/28D000	white
	D81/28T	1D810/28T000	white



Compatible phase cut dimmer

Supplier	Supplier References
LC Relco	RM0540 with dip1=on and dip2=on
LC Relco	RM0540 with dip1=on and dip2=on
LC Relco	RM0540 with dip1=on and dip2=on

^(*) The LED lamps cannot be changed in the luminaire.
Power consumption by device

