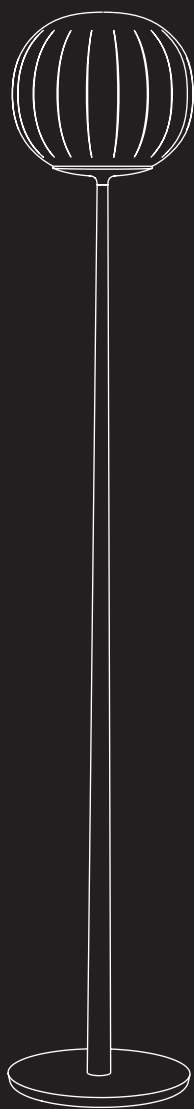


# LITA

design David Dolcini



**LUCE  
PLAN**

D92

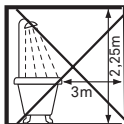


D92T30 - D92T42

01



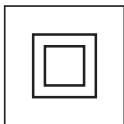
02



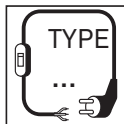
03



12



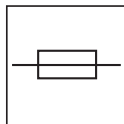
18



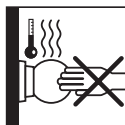
19



28



37



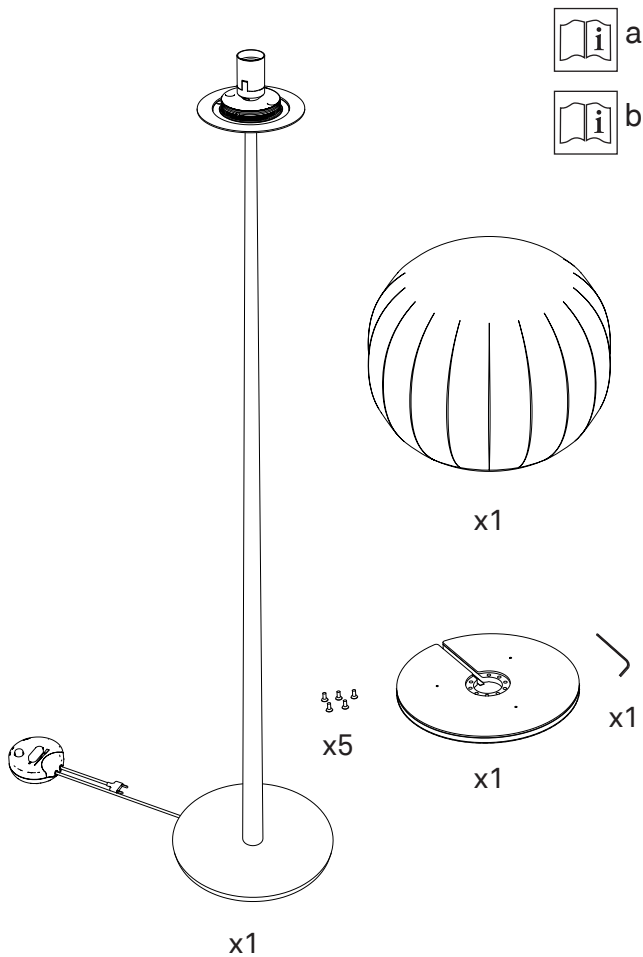
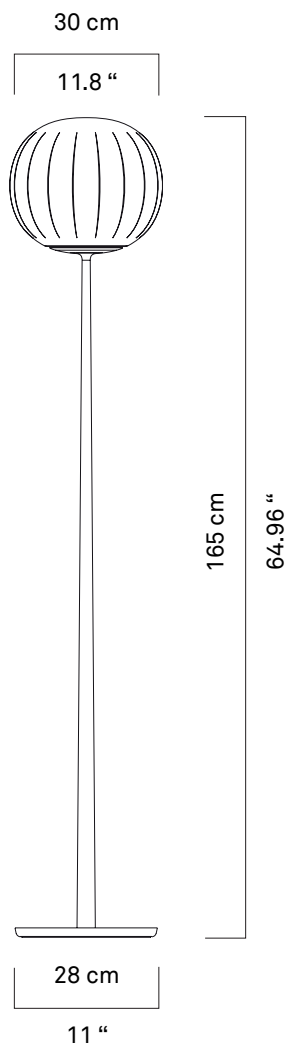
38



50



# D92T30 + D92/3 - D92/5



**kg** 3,0 kg

**lb** 6.6 lb

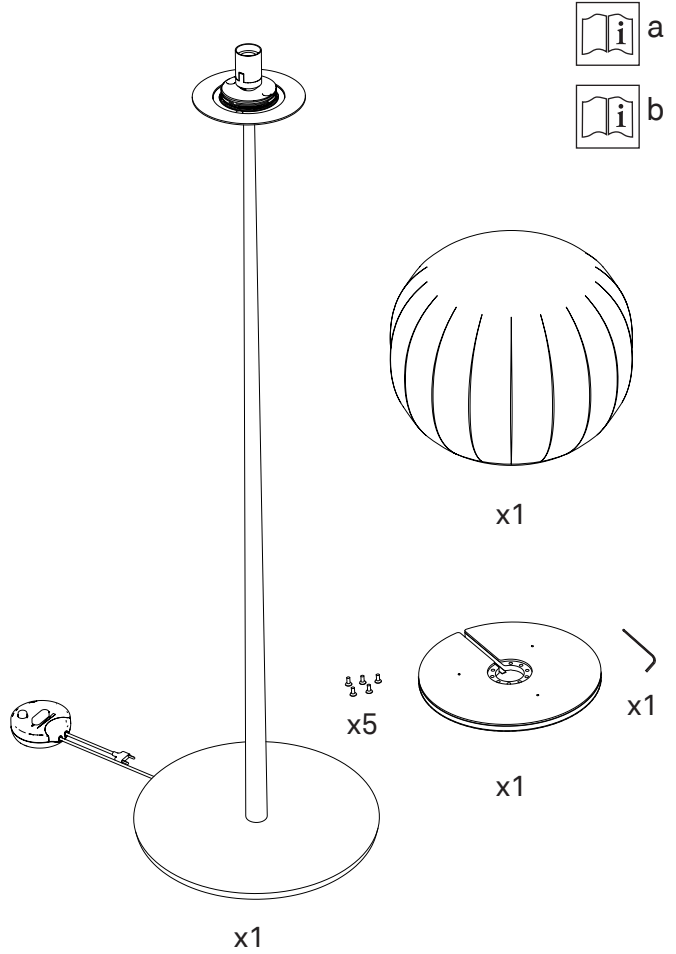
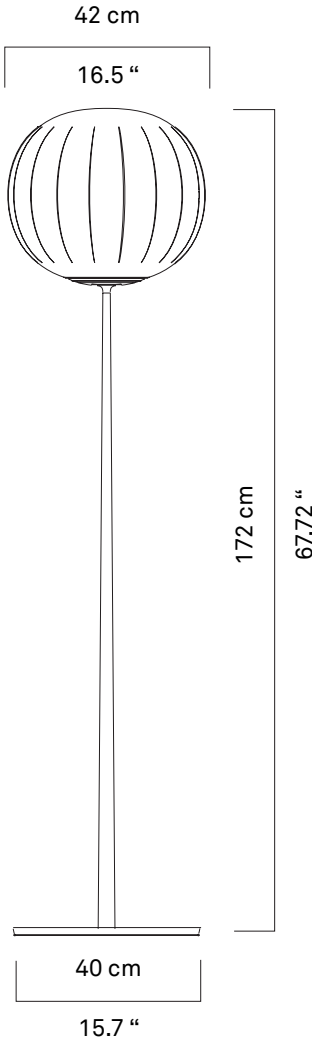


MIN  
4W  
LED  
E27  
MAX  
16W  
LED  
E27



MIN  
25W  
E27  
MAX  
70W  
E27

D92T42 + D92/4 + D92/6



**kg** 3,0 kg

**lb** 6.6 lb



MIN  
4W  
LED  
E27  
MAX  
16W  
LED  
E27

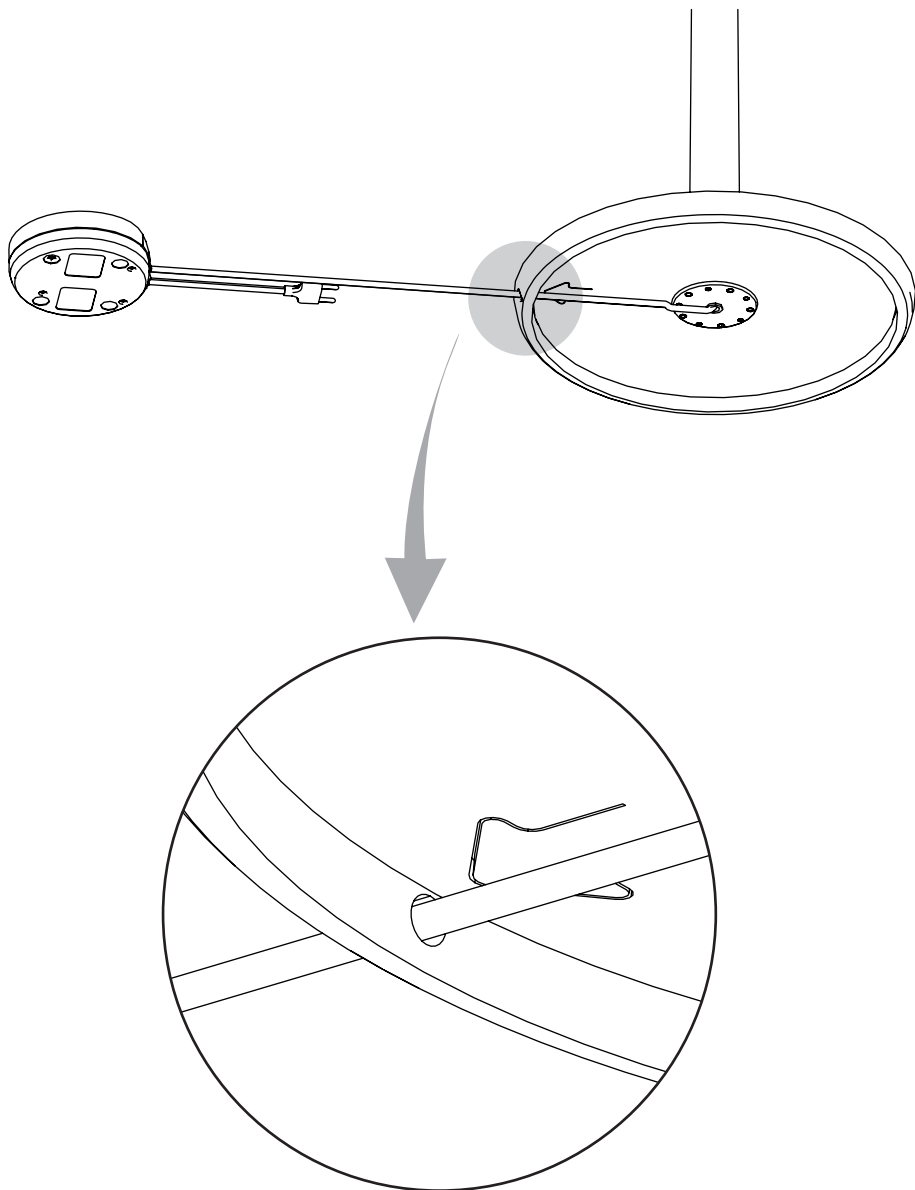


MIN  
25W  
E27  
MAX  
70W  
E27

---

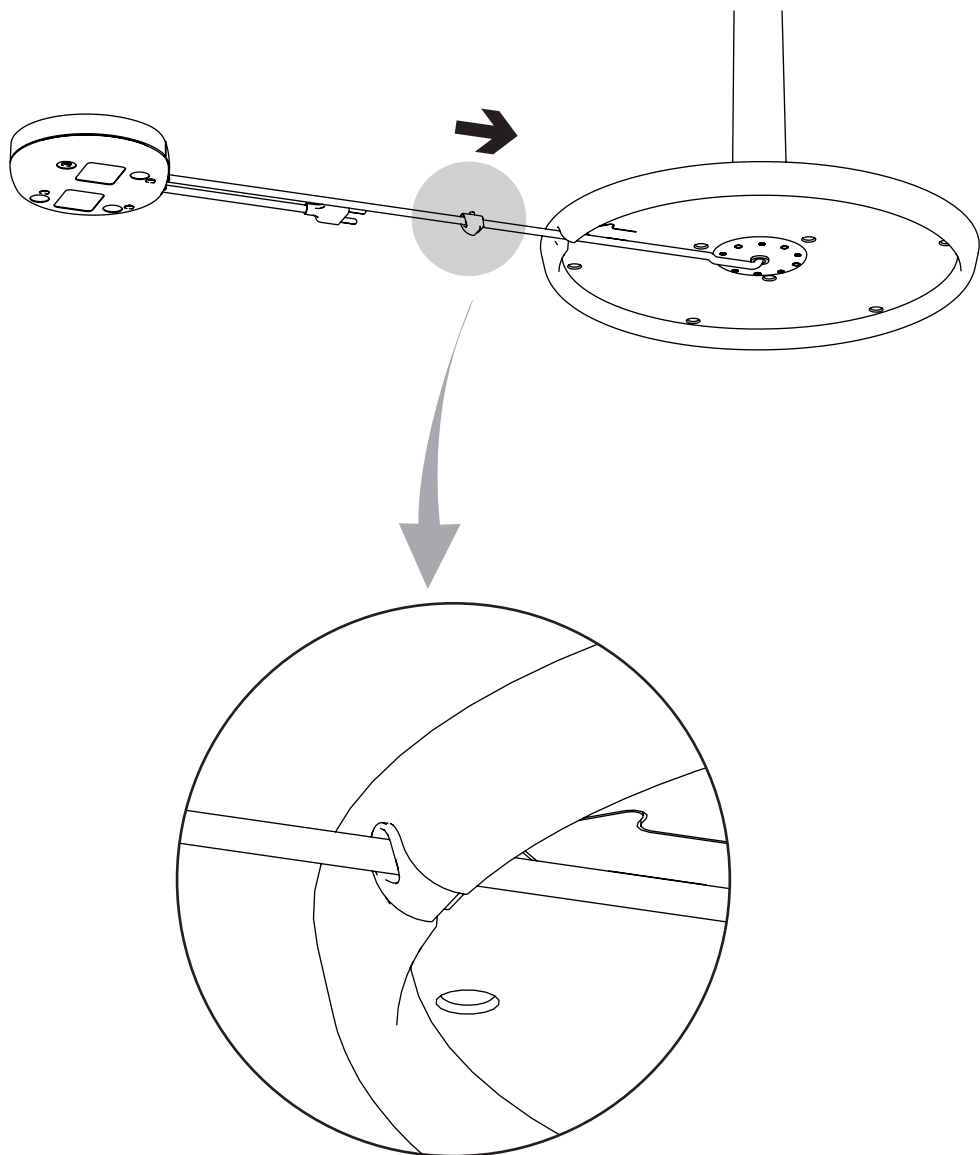
1

D92T30 + D92/3  
D92T42 + D92/4



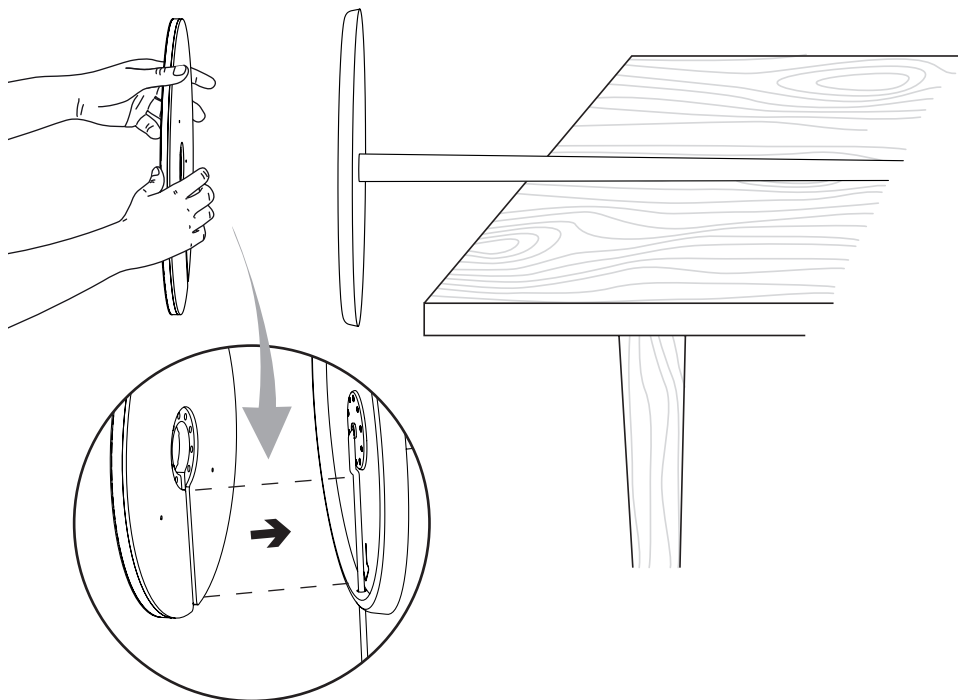
D92T30 + D92/5

D92T42 + D92/6



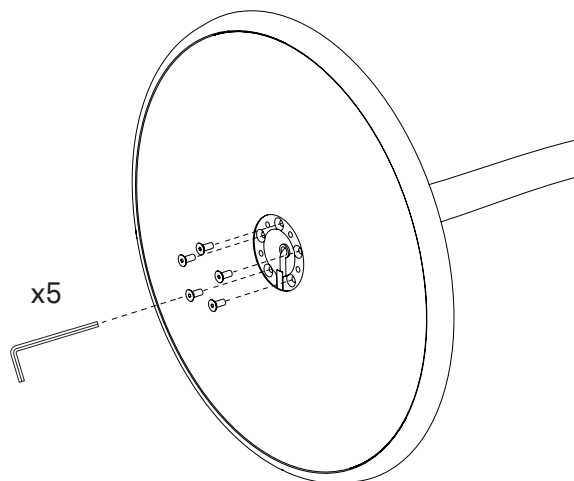
---

# 1.1 D92T30 + D92/5 D92T42 + D92/6



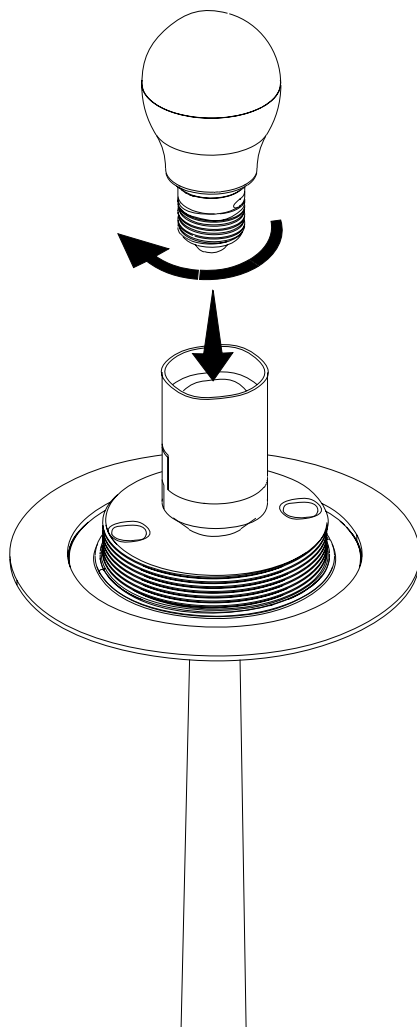
---

# 1.2 D92T30 + D92/5 D92T42 + D92/6



2

D92T30 - D92T42

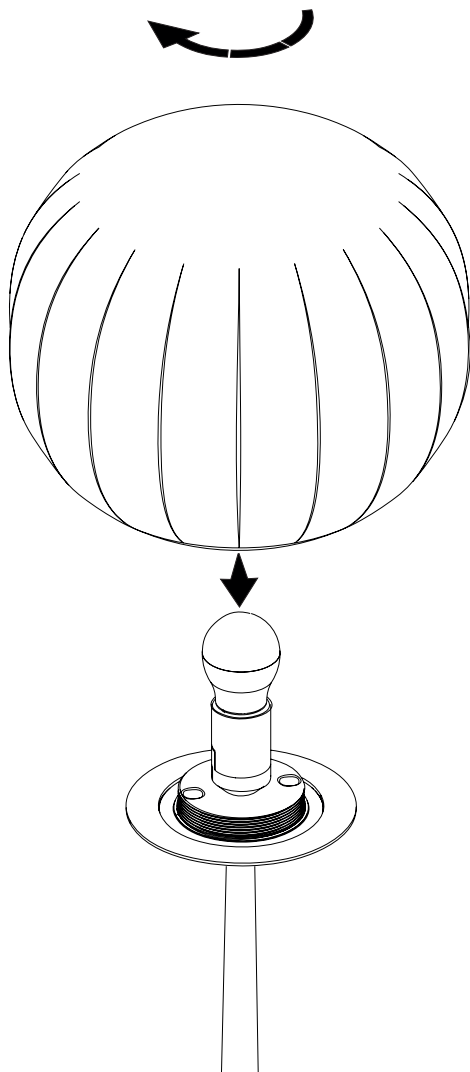




---

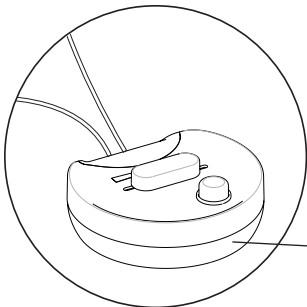
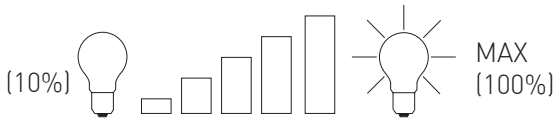
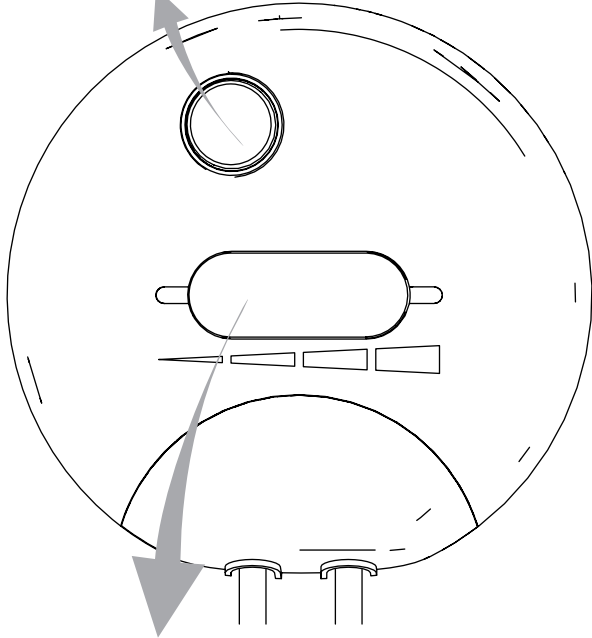
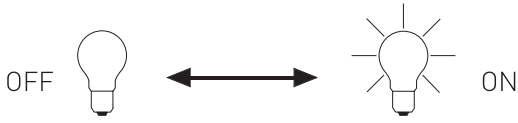
3

D92T30 - D92T42

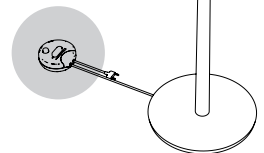
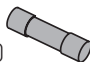




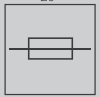
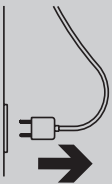
# 4

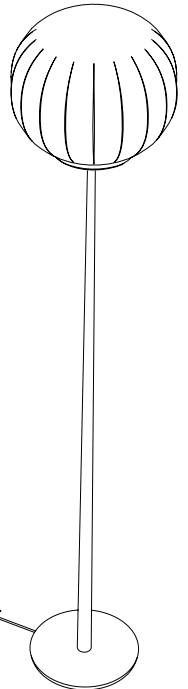
## D92T30 - D92T42



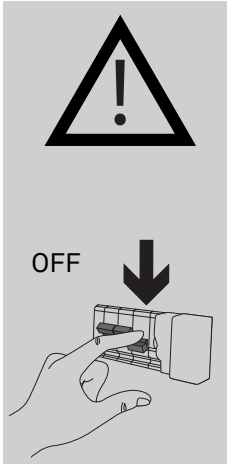
5x20  
T 2,5A H 250V



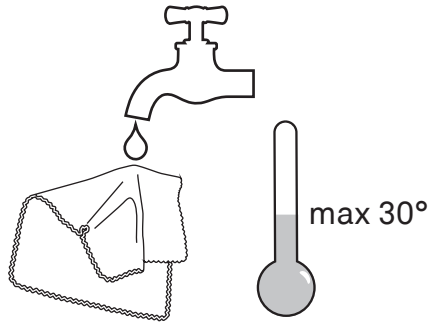
  
  
28  
  




5



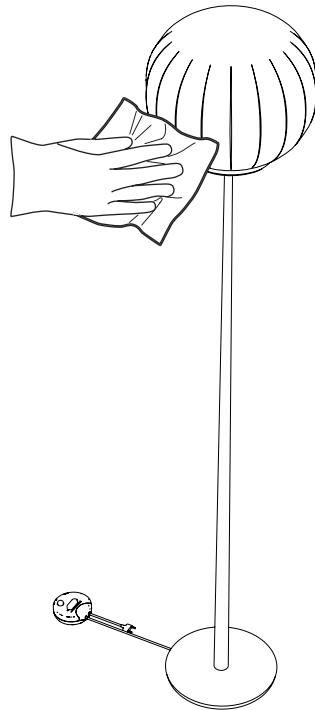
1.



2.



3.





[www.luceplan.com](http://www.luceplan.com)

D92010004